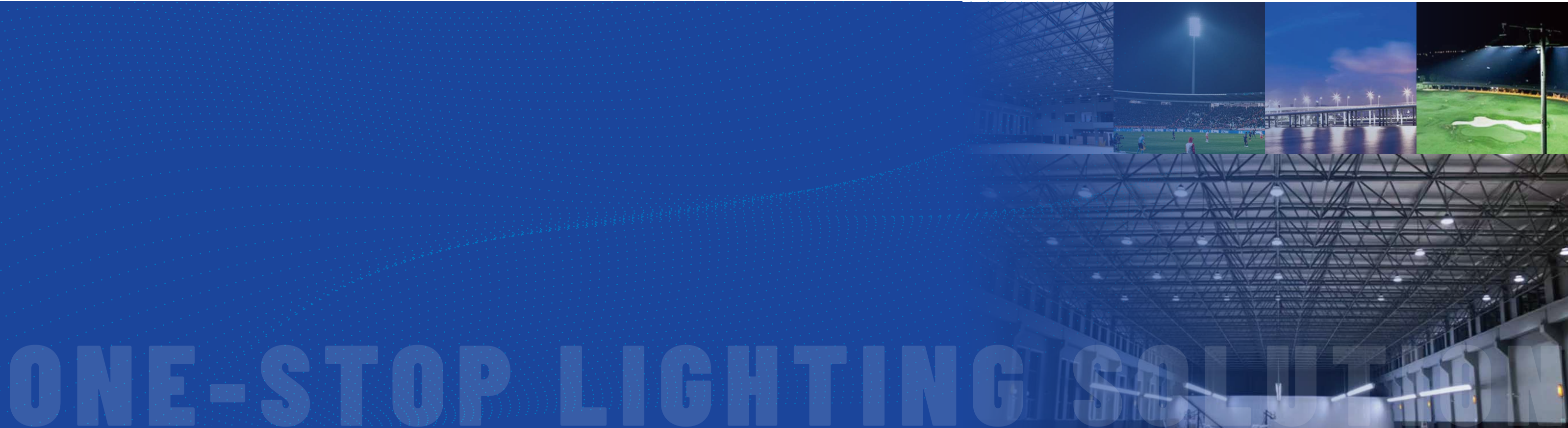




GUS ENTERPRISE

ONE-STOP LIGHTING SOLUTION

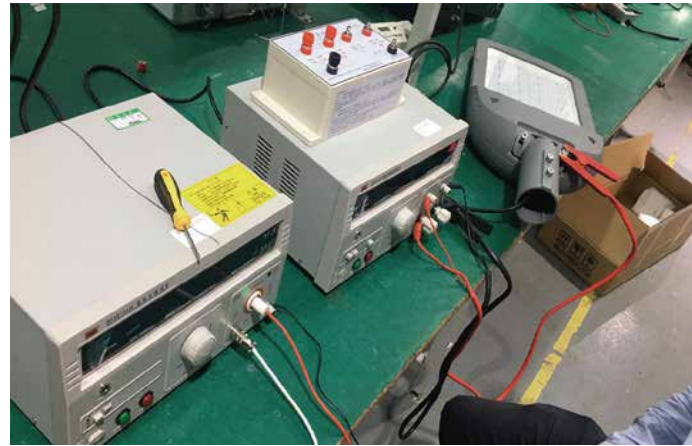


GUS Enterprise Co., Ltd.
52/39 Sutthisan Winitchai Rd. Samsen Nai Sub-district haya thai District,
Bangkok 10400

Tel: +66(61)5455-978 E-mail: sales9.gus@gmail.com



Equipment



Manufacturing



PRODUCT CATALOG

P
01-02



S/ LED Flood light-S

P
03-04



/ LED Billboard Light-A

P
05-06



LED Stadium Light-S

P
07-08



LED Stadium Light-A

P
09-10



LED Stadium Light-B

P
11-12



LED Stadium Light-E

P
13-14



LED Stadium Light-G

P
15-16



UFO LED High Bay Light-D

P
17-18



UFO LED High Bay Light-B

P
19-20



UFO LED High Bay Light-H

P
21-22



LED High Bay Light-A

P
23-24



LED High Bay Light-B

P
25-26



LED High Bay Light-D

P
27-28



UFO Line High Bay Light-B

P
29-30



LED Flood light-H

P
31-32



LED Flood light-F

P
33-34



LED Solar Flood light

P
35-36



LED Tunnel light-G3

P
37-38



LED Tunnel light-G

P
39-40



LED Street light-B

P
41-42



LED Street Light-G2

P
43-44



LED Street Light-P

P
45-46



LED Solar Street Light-A

P
47-48



LED Explosion-Proof Light

P
49-50

Energy Conservation Programme/CCT





The whole lamp	Light efficacy	Impact grade	Ingress protection
180° adjustable	>170 lm/W	IK08	IP66



60W

100W

400W/500W

Back

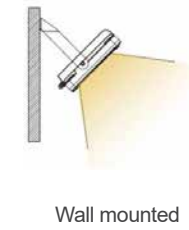
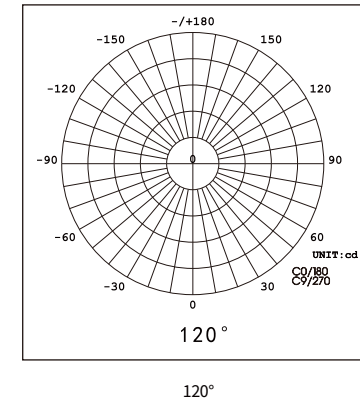
Product Features

- ▶ Unique flood lights: 30W 60W 100W 200W 300W 400W 500W
- ▶ Light efficacy 170lm/W or 190lm/W
- ▶ Impact grade IK08
- ▶ Original design with patent
- ▶ Ingress Protection IP66
- ▶ Good heat dissipation performance

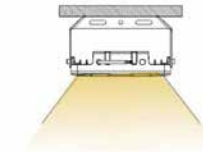
Application scope

Widely used in shopping malls, exhibition halls, parking lots, sports fields, gyms, billboards, parks, sculptures, green lighting projects, building facades, as well as indoor and outdoor lighting for public corridors, staircases, and corridors.

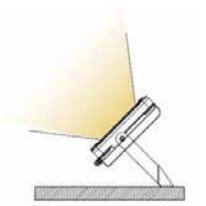
Light Distribution Curves



Wall mounted

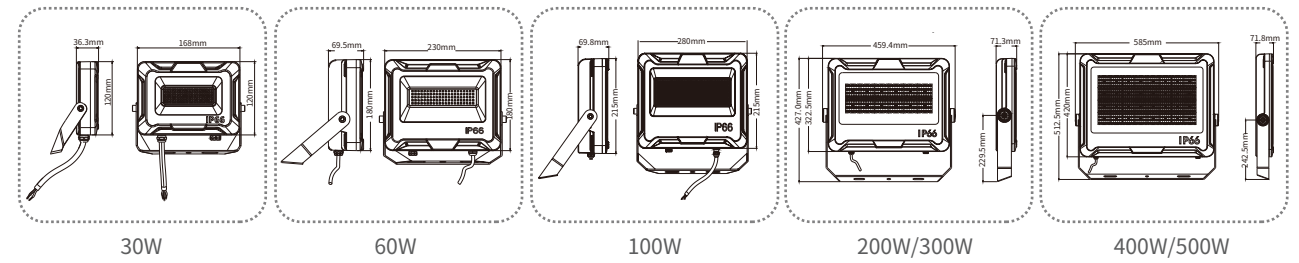


Ceiling mounted



Ground installation

Size



Specifications



Model	30W-S	60W-S	100W-S	200W-S	300W-S	400W-S	500W-S
Power	30W	60W	100W	200W	300W	400W	500W
Efficacy	170lm/W; 190lm/W						
CCT	2700-6500K						
CRI	≥80Ra						
LED	SMD 2835						
PF	>0.97						
Input voltage	AC 100-277V						
THD	15%<THD<20%						
N.G.	0.95kg	2.6kg	3.45kg	6.8kg	6.9kg	10.8kg	11kg
Size(mm)	L168*W120 *H36	L230*W180 *H71	L280*W215 *H71	L459*W322 *H71	L459.4*W323 *H71	L585*W420 *H72	L585*W420 *H72
Beam Angle	30°/60°/90°/120°						
Work Temp	-40~+60°C						
LED Junction Temp	≤80°C						
Humidity	25%~90% RH						
Life span	≥50000H						
IP Grade	IP66						
IK Grade	IK08						
Product Material							
Power Wire	Body material					Electronic security level	
Cable(3*1mm ²) L=0.5m	Aluminum+Glass/Aluminum+PC+Glass					Class I	



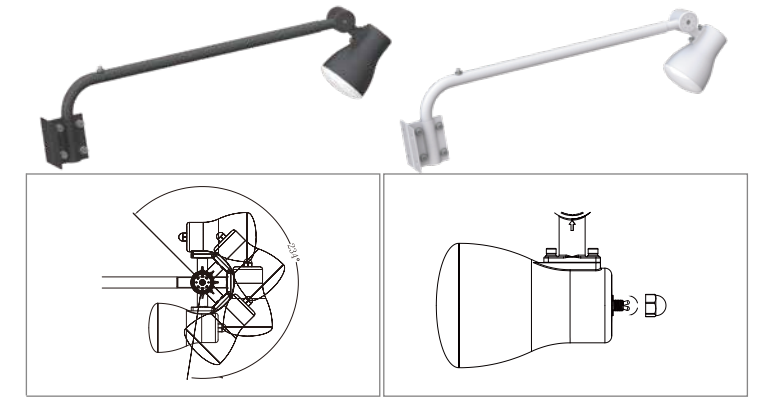
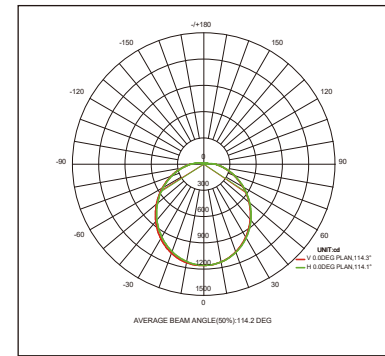
Product Features

- ▶ Original unique design, simple, generous with great practical function, suitable for most advertising signage applications.
- ▶ Lamp head can be rotated 234 degrees horizontally and 360 degrees vertically to ensure that the light is projected in the correct direction.
- ▶ With 2 options of color temperature, warm white 2900-3100K, neutral white 4800-5200K, switchable.
- ▶ Factory sealed water tight and IP66 rated for protection against high-pressure water jets and outdoor elements.

Application scope

Widely used in indoor and outdoor lighting places such as billboards, shop signs, company image walls, exhibition halls, architectural landscapes, etc.

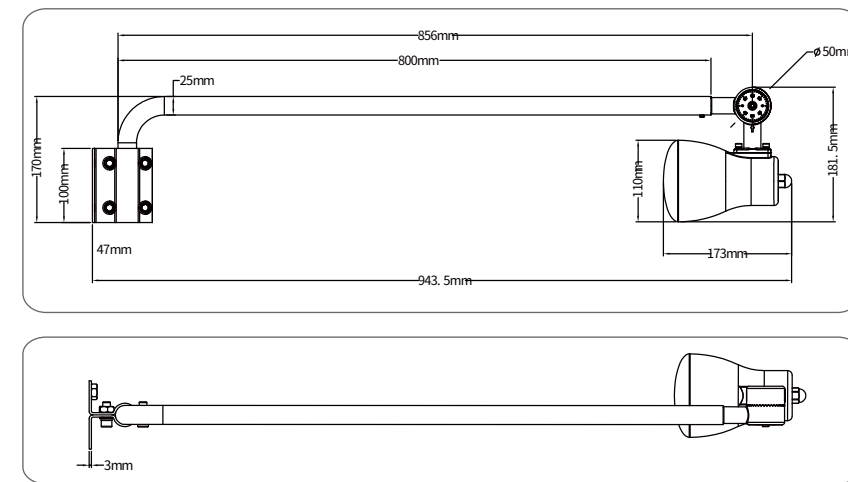
Light Distribution Curves



角度可调/Angle adjustment

色温可切换/Color temperature switchable

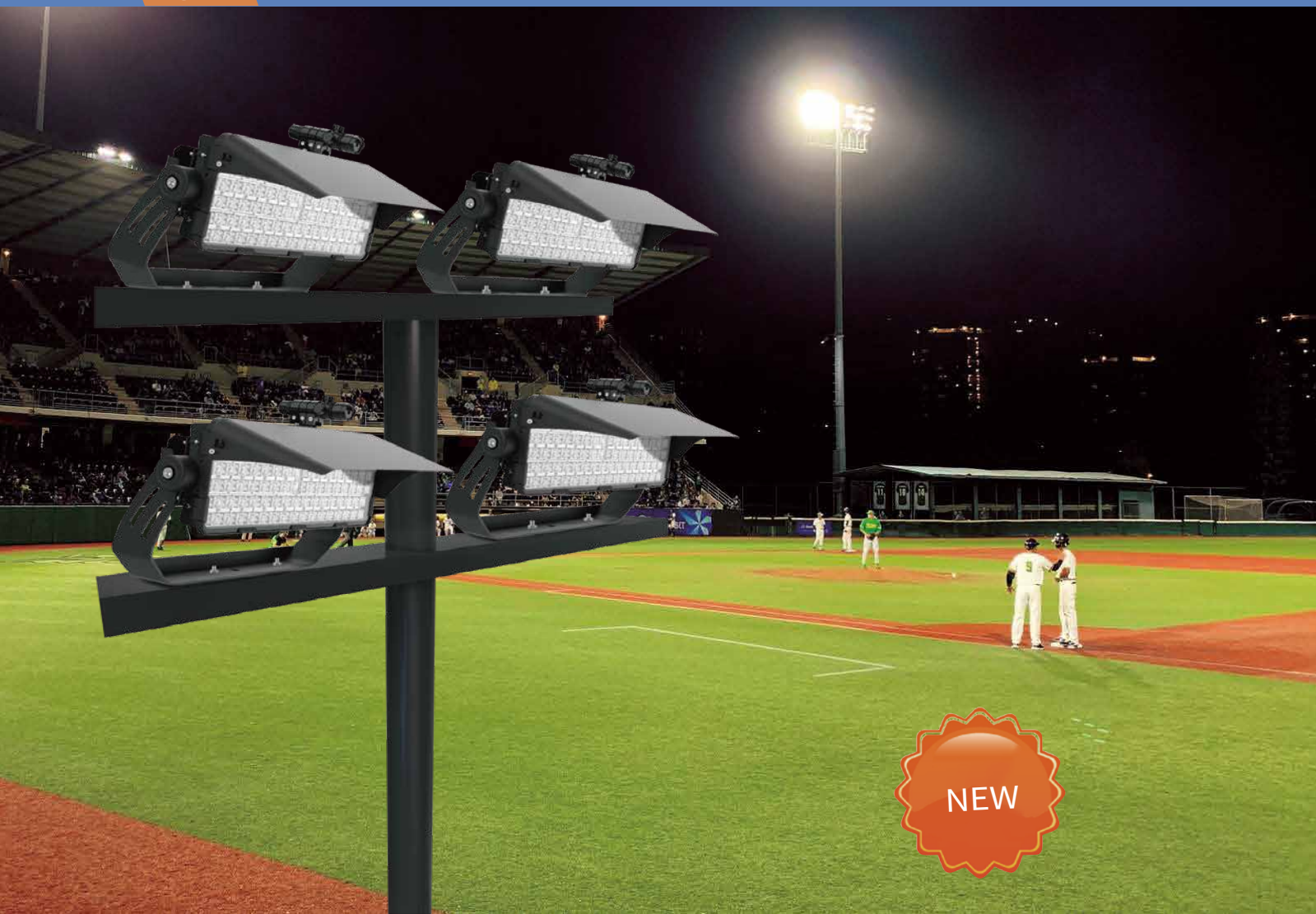
Size



Specifications



Model	36W-A	
Power	36W	
Lumen	5040lm	
Efficacy	140lm/W	
CCT	2900-3100K,4800-5200K,There are two color temperatures to choose from: warm white e 2900-3100K and neutral white 4800-5200K, which can be switched;	
LED	Lumileds 3030	
PF	>0.95	
CRI	≥ 80Ra	
Input voltage	AC85-265V	
THD	15%<THD<20%	
N.G.	2.4kg	
Size(mm)	L825*W173*H110mm	
Product color	Black or White	
Beam Angle	110°	
Work Temp	-20~40°C	
LED Junction Temp	≤115°C	
Humidity	25%~90% RH,	
Life span	≥50000H	
IP Grade	IP66	
IK Grade	IK08	
Body material		
Power Wire	Product Material	Electronic security level
Cable(3*1mm ²) L=0.5m	ADC12 Aluminum housing	Class I



NEW

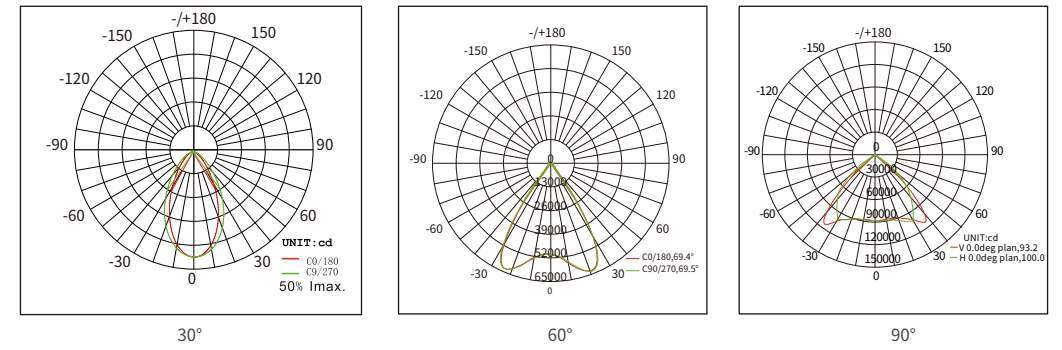
Product Features

- ▶ Adopting high-power LED chip (3030/3535/5050) light source the power supply can match any brand.
- ▶ The lamp shell is made of aluminum die-casting, which effectively dissipates heat, is waterproof, and dustproof through reasonable structural design. The surface of the lamp is treated with UV resistant and corrosion-resistant powder spraying, and the overall lamp meets the IP66 standard.
- ▶ The integrated design of the heat sink and lamp housing ensures that the LED is directly connected to the housing, and the heat dissipation fins of the housing and air convection heat dissipation fully ensure the service life of the LED street lamp.
- ▶ With appearance and utility model patents, sellers have no worries about intellectual property protection.

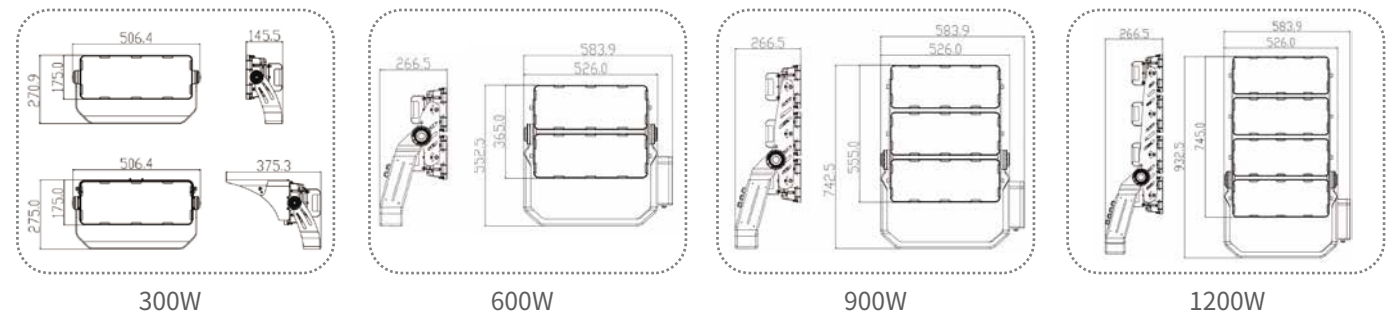
Application scope

Widely used in outdoor sports venues, parking lots, football fields, golf courses, tennis courts, park squares, and other places that require outdoor lighting;

Light Distribution Curves



Size

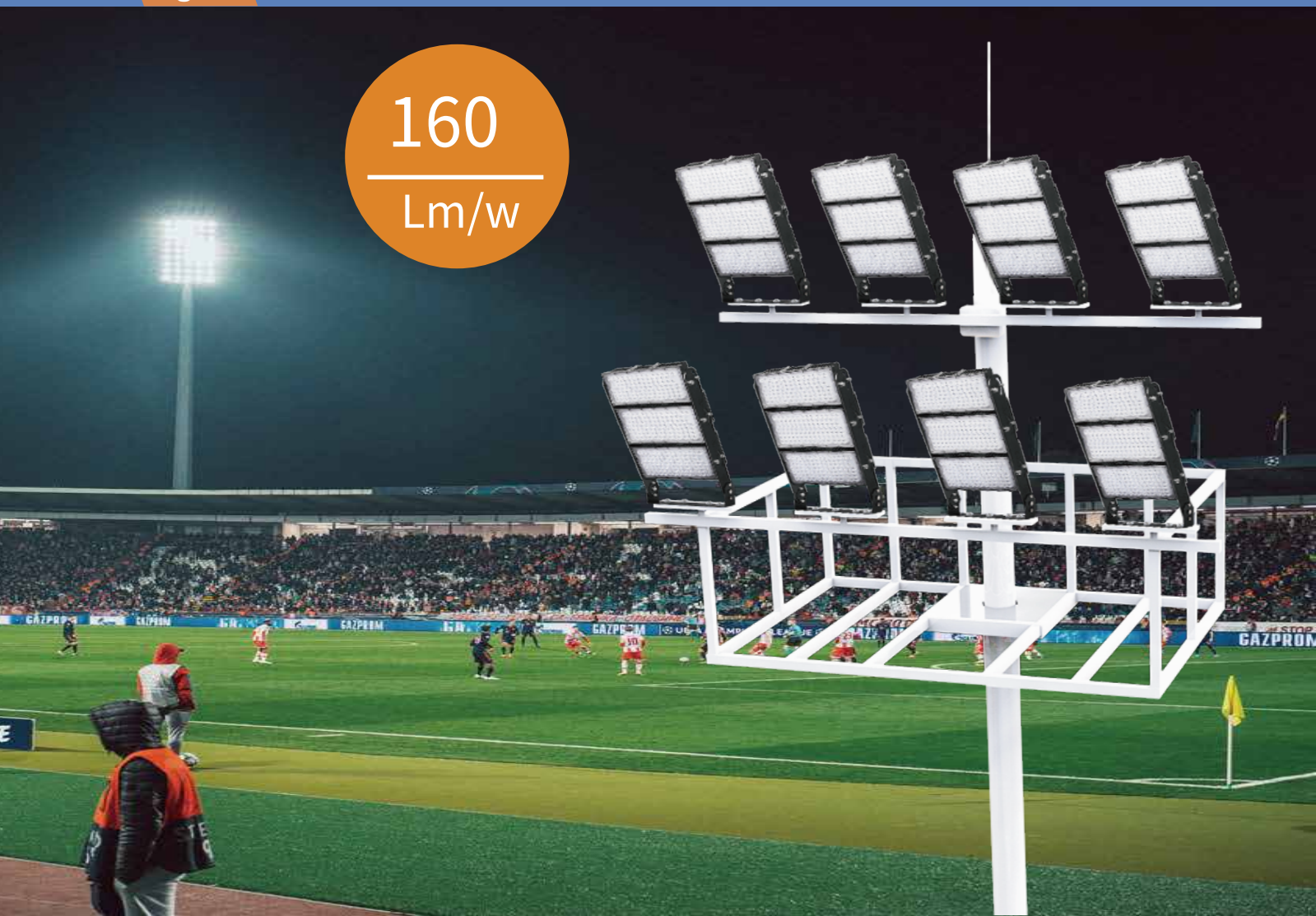


Specifications



Model	300W-S	600W-S	900W-S	1200W-S
Power	300W	600W	900W	1200W
Lumen	48000lm	96000lm	144000lm	192000lm
Efficacy	160lm/W			
CCT	2700-6500K			
CRI	≥80Ra			
LED	Lumileds/SMD 3030/3535/5050			
PF	>0.97			
Input voltage	AC100-277V			
THD	15%<THD<20%			
N.G.	7.4kg	17.7kg	23.2kg	29kg
Size(mm)	506.4*270.9*145.5	583.9*552.5*266.5	742.5*583.9*266.5	932.5*583.9*266.5
Beam Angle	30°/60°/90°			
Work Temp	-40~+60°C			
Humidity	15%~90% RH,			
Surface	Sprayed with outdoor special powder			
Life span	≥50,000 Hrs (LM70@35°C)			
IP Grade	IP66			
IK Grade	IK08			
Product Material				
Power Wire	Body material		Electronic security level	
Cable(3*1mm ²) L=0.5m	PC+Aluminum+PC+Glass		Class I	

160
Lm/w



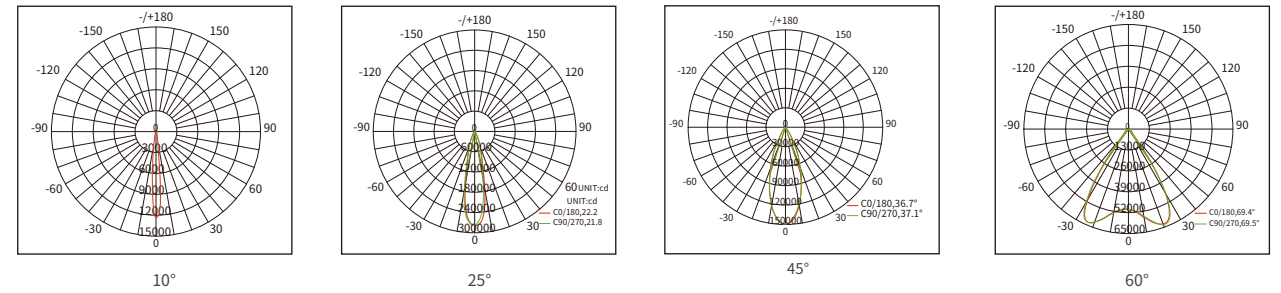
Product Features

- ▶ Using high luminous efficiency SMD 5050 lamp beads, the overall lighting efficiency can reach 160LM/W;
- ▶ Adopting a high transmittance PC lens, the light output is uniform and soft, with a transmittance of >92%;
- ▶ Multiple angles available, suitable for different usage scenarios (10°/25°/45°/60°/80°/150°)
- ▶ AC100-277V input constant voltage and constant current power supply drive, with short circuit/overvoltage/overcurrent/over temperature protection;
- ▶ 1070 Aluminum material, module design, surface oxidation and powder spraying treatment, whole lamp IP65, waterproof, dustproof, and corrosion-resistant;

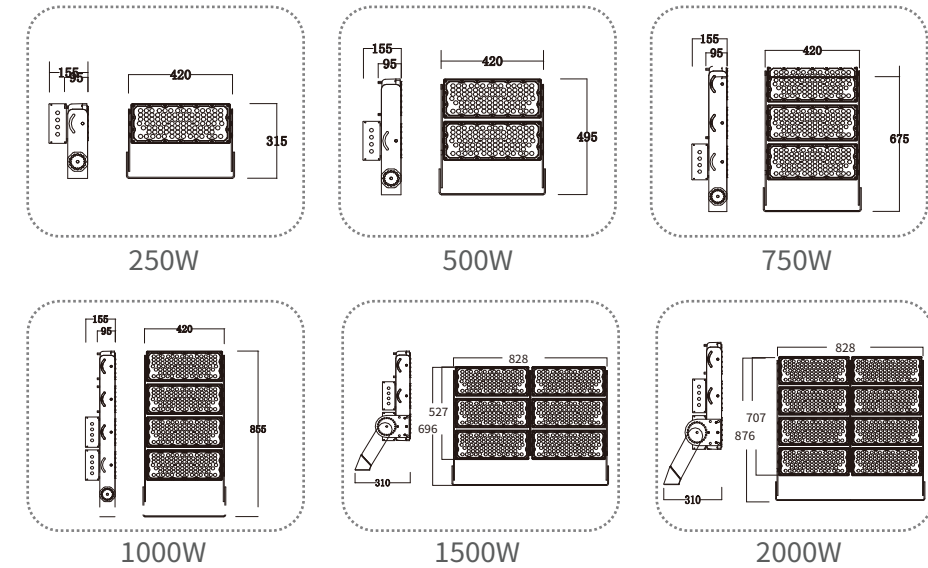
Application scope

Widely used in outdoor sports venues, parking lots, football fields, golf courses, tennis courts, park squares, and other places that require outdoor lighting;

Light Distribution Curves



Size



Specifications



Model	250W-A	500W-A	750W-A	1000W-A	1500W-A	2000W-A
Power	250W	500W	750W	1000W	1500W	2000W
Lumen	40000lm	80000lm	120000lm	160000lm	240000lm	320000lm
Efficacy	160lm/W					
CCT	2700-6500K					
CRI	≥80Ra					
LED	三安San'an/Lumileds/SMD 5050					
PF	>0.97					
Input voltage	AC100-277V					
THD	15%<THD<20%					
N.G.	9.2kg	14.2kg	21kg	26kg	43kg	52.5kg
Size(mm)	315*420*155	495*420*155	675*420*155	855*420*155	696*828*311	876*828*311
Beam Angle	(3030 SMD) 45°/60°/80°/150°, (SMD 5050) 10°/25°/45°/60°/80°/150°					
Work Temp	-40~+60°C					
Humidity	15%~90% RH,					
Surface	Sprayed with outdoor special powder					
Life span	≥50,000 Hrs (LM70@35°C)					
IP Grade	IP66					
IK Grade	IK08					
Product Material						
Power Wire	Body material		Electronic security level			
Cable(3*1mm²) L=0.5m	Aluminum housing+PC		Class I			

160
Lm/w



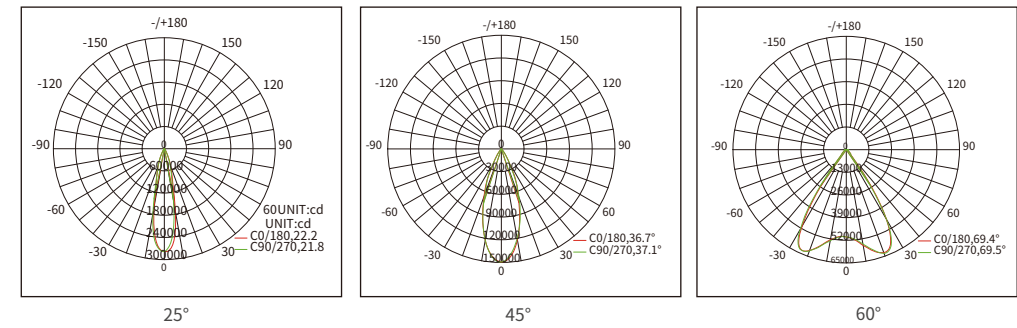
Product Features

- Using high luminous efficiency SMD 5050 lamp beads, the overall lighting efficiency can reach 160LM/W;
- Adopting a high transmittance PC lens, the light output is uniform and soft, with a transmittance of >92%;
- Multiple angles available, suitable for different usage scenarios (10°/25°/45°/60)
- AC100-277V input constant voltage and constant current power supply drive, with short circuit/overvoltage/overcurrent/over temperature protection;
- 1070 Aluminum material, module design, surface oxidation and powder spraying treatment, whole lamp IP65, waterproof, dustproof, and corrosion-resistant;

Application scope

Widely used in outdoor sports venues, parking lots, football fields, golf courses, tennis courts, park squares, and other places that require outdoor lighting;

Light Distribution Curves

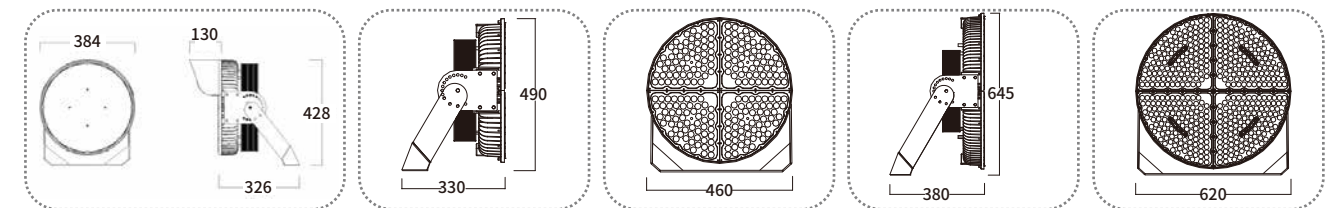


Size

300W/400W

500W/600W

1000W/1200W



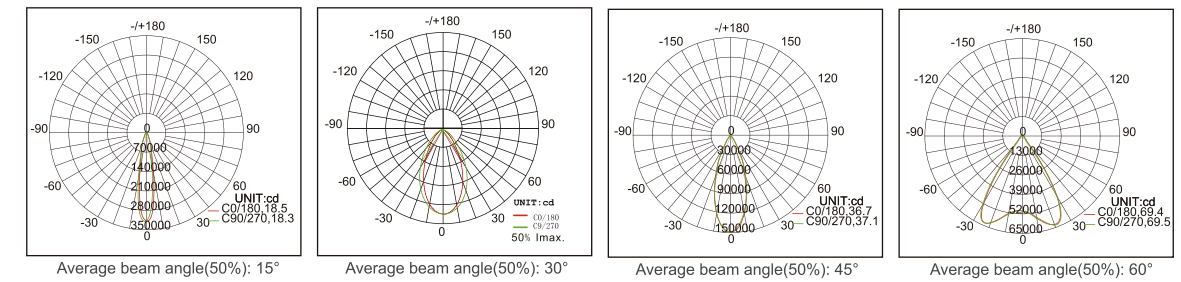
Specifications



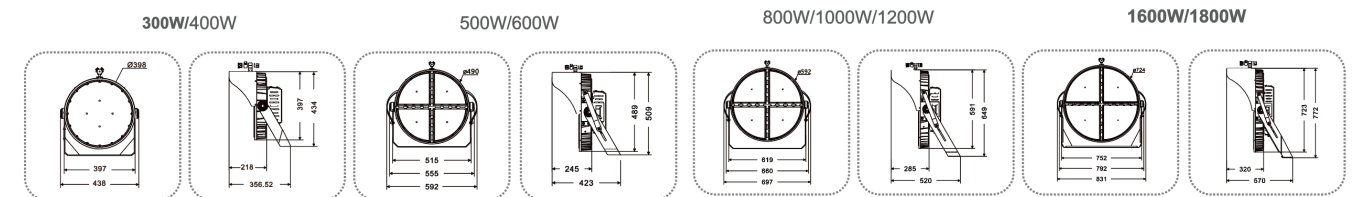
Model	300W-B	400W-B	500W-B	600W-B	1000W-B	1200W-B
Power	300W	400W	500W	600W	1000W	1200W
Lumen	48000lm	64000lm	80000lm	96000lm	160000lm	192000lm
Efficacy	160lm/W					
CCT	2700-6500K					
LED	Lumileds/SMD 5050					
CRI	≥80Ra					
PF	>0.97					
Input voltage	AC100-277V					
THD	15%<THD<20%					
N.G.	12.8kg	13.2kg	16.8kg	17.2kg	31kg	33kg
Size(mm)	384*428*326	384*428*326	460*490*330	460*490*330	620*645*380	620*645*380
Beam Angle	10°/25°/45°/60°					
Work Temp	-40~+60 °C					
Humidity	15%~90% RH,					
Surface	Sprayed with outdoor special powder					
Life span	≥50,000 Hrs (LM70 @ 35°C)					
IP Grade	IP66					
IK Grade	IK08					
Product Material						
Power Wire	Body material		Electronic security level			
Cable(3*1mm ²) L=0.5m	铝 Aluminum housing+PC		Class I			



Light Distribution Curves



Size



Specifications



Product Features

- With lamp brim to prevent light from scattering to the sky and reduce the light waste, anti-glare.
- Professional optical PC lens, non-yellowing material.
- The external waterproof power supply is dedicated to the iron shell, without contact with the lamp body, air convection, thermoelectric separation, longer life span.
- Strong bracket for firmer installation.

Application scope

Widely used in outdoor sports venues, parking lots, football fields, golf courses, tennis courts, park squares, and other places that require outdoor lighting;

Model	300W-E	400W-E	500W-E	600W-E	800W-E	1000W-E	1200W-E	1600W-E	1800W-E
Power	300W	400W	500W	600W	800W	1000W	1200W	1600W	1800W
Lumen	45000lm	60000lm	75000lm	90000lm	120000lm	150000lm	180000lm	240000lm	270000lm
Efficacy	150lm/W±5%								
CCT	2800-3000K; 3000-3200K; 4000-4500K; 5000-5500K; 6000-6500K								
CRI	≥ 70Ra								
LED	Lumileds 3030 SMD								
PF	>0.97								
Input Voltage	AC100-277V(Moso)								
Frequency	50~60Hz								
THD	<20% (Typical : 10%)								
Weight(kg)	10.4	10.8	17	17.4	24	24.8	26	42	43.7
Sizes(mm)	438*434*356	438*434*356	592*509*423	592*509*423	697*649*520	697*649*520	697*649*520	831*772*570	831*772*570
Beam Angle	15°/30°/ 45°/60°								
Work Temp	-35~+55°C								
Humidity	15%~90% RH, no condensing								
Finish	Sprayed with outdoor special powder								
Life span	≥50,000 Hrs (LM80 @ 35°C)								
IP Grade	IP66								
IK Grade	IK08								
Product Material									
	Power Wire			Body material			Electronic safety grade		
	Rubber cable(3*1mm²) L=0.5m			PC lens + Aluminum housing			Class I		

140
Lm/w



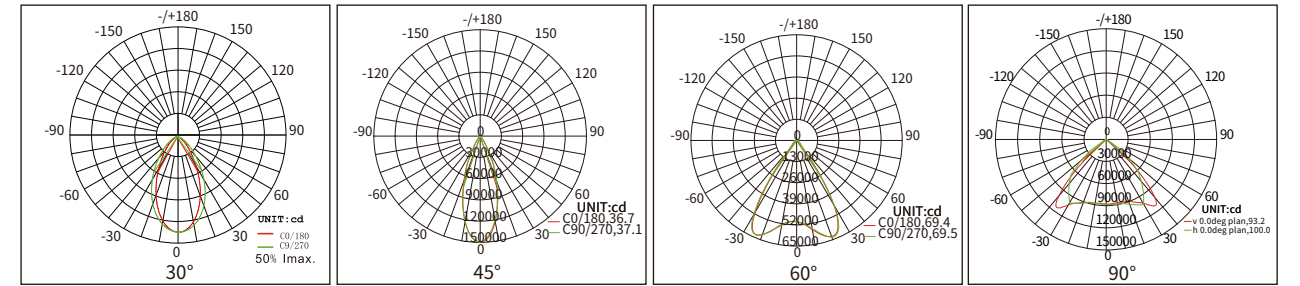
Product Features

- ▶ Power range: 250W-2500W.
- ▶ Light efficacy 140lm/W.
- ▶ Beam angles: 15° 30° 45° 60° 90°.
- ▶ The whole lamp 180°adjustable.
- ▶ Ingress Protection IP66, impact grade IK08.
- ▶ IES files and Dialux simulation support.
- ▶ Equipped with laser sight anti-glare cover can be added.
- ▶ Selected high-quality aluminum materials, air convection heat dissipation design, durable, rust and corrosion resistant;

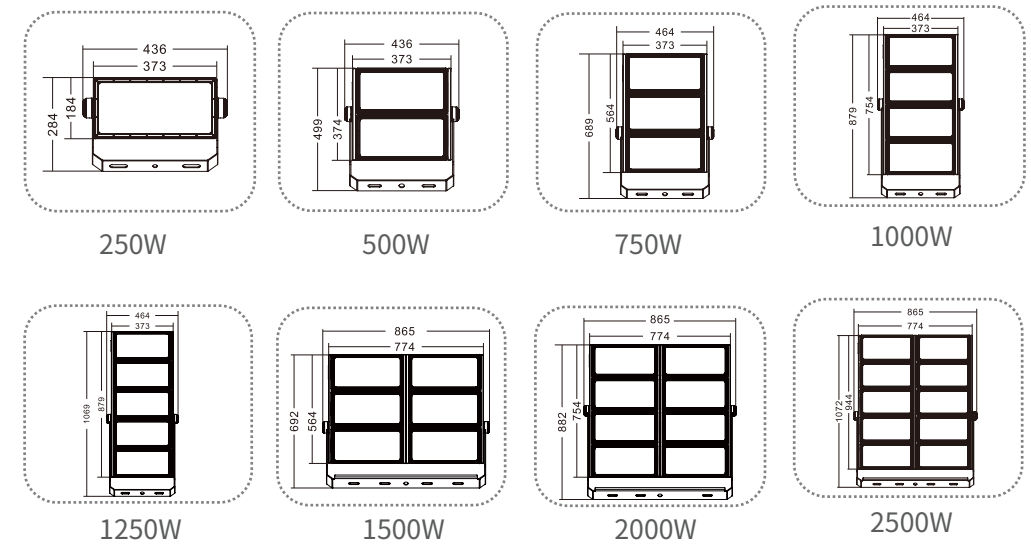
Application scope

Widely used in outdoor sports venues, parking lots, football fields, golf courses, tennis courts, park squares, and other places that require outdoor lighting;

Light Distribution Curves



Size



Specifications



Model	250W-G	500W-G	750W-G	1000W-G	1250W-G	1500W-G	2000W-G	2500W-G
Power	250W	500W	750W	1000W	1250W	1500W	2000W	2500W
Lumen	35000 lm	70000lm	105000 lm	140000lm	175000lm	210000lm	280000lm	350000lm
Efficacy	140lm/W							
CCT	2700-6500K							
CRI	≥80Ra							
LED	Lumileds/SMD 3030							
PF	>0.97							
Input voltage	AC100-277V							
THD	15%<THD<20%							
N.G.	5.7kg	13.5kg	18.7kg	24.1kg	29.5kg	37.4kg	48.2kg	59kg
Size(mm)	436*284 *163	436*499 *183	464*689* 183	464*879* 182	464*1069 *183	865*692* 189	865*882* 189	865*1072 *189
Beam Angle	15° / 30° / 45° / 60° / 90°							
Work Temp	-40 ~ +60°C							
Humidity	15%~90% RH							
Surface	Sprayed with outdoor special powder							
Life span	≥50,000 Hrs (LM70 @ 35°C)							
IP Grade	IP66							
IK Grade	IK08							
Product Material								
Power Wire	Body material			Electronic security level				
Cable(3*1mm ²) L=0.5m	Aluminum housing+PC			Class I				

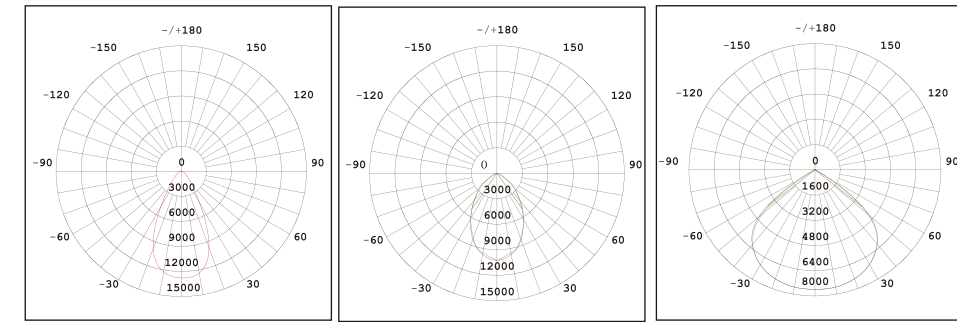


- ▶ High bright led lights source lumileds, small light decay.
- ▶ Whole lamp light efficiency 160lm/W±5%.
- ▶ Adopt high quality UV material PC lens, high temperature resistance, no yellowing.
- ▶ 60°/90°/120° beam angles, meets different lighting applications.
- ▶ Fin design aluminum heat-sink, excellent heat-dissipation performance, longer life span.
- ▶ Functions: ZigBee, PWM 0/1~10V, micro-wave, CCT & Wattage DIP switch.

Application scope

Widely used in high-rise factories, workshops, warehouses, logistics centers, exhibition halls, sports venues, shipyards, mines, highway toll stations, gas stations, supermarkets, farmers' markets and other places that require lighting.

Light Distribution Curves



Average beam angle(50%): 60°

Average beam angle(50%): 90°

Average beam angle(50%): 120°

Size



Item No.	100W-DUFO	150W-DUFO	200W-DUFO	240W-DUFO	300W-DUFO	480W-DUFO
Rated Power	100W	150W	200W	240W	300W	480W
Lumen	16000lm	24000lm	32000lm	38400W	48000W	76800W
N.W	1.8kg	2.2kg	2.6kg	3kg	3.5kg	5.5kg
Input Voltage	AC100-277V(MOSO)			AC120-277V(ZH)		
Driver Efficiency	>93%		Protection	OTP, OCP, OVP, SCP		
Power Factor	>0.95		THD	<15		
LED Type	Lumileds2835		CCT	2800~6500K		
SDCM	<6		CRI	>70Ra		
Waterproof	IP65		Impact Rating	IK08		
Surge Protection	4KV		Beam Angle	60°/90°/120°		
Thermal Conductivity				96 W/m·K		
Working Temperature				-30~+60°C		
LED Junction Temperature				<80°C		
Lifetime				50000H		
Security Requirement				CE		
Environmental Directives				RoHS		
Product Material						
Power Wire	Body material		Electronic safety grade			
3*0.75mm2 (Rubber cable L=0.5M)	Aluminum		Class I			



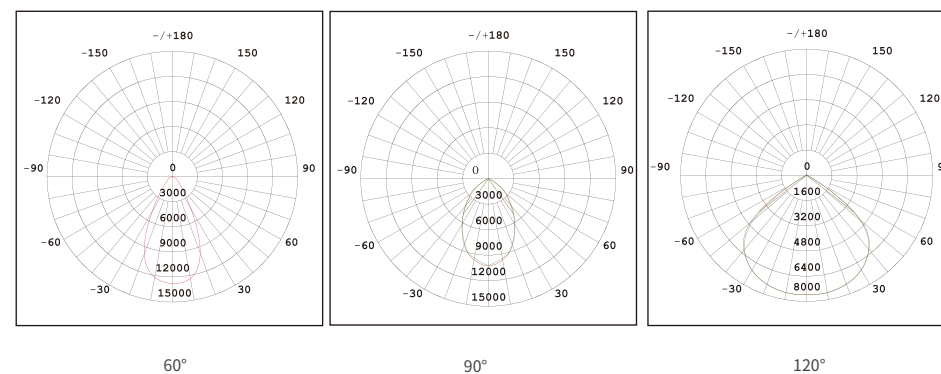
Product Features

- ▶ Whole lamp light efficiency 160-200lm/W.
- ▶ High bright led lights source San'an or Lumileds SMD 2835, small light decay.
- ▶ Adopt high quality UV material PC lens, high temperature resistance, no yellowing.
- ▶ 60°/90°/120° beam angles, meets different lighting applications.

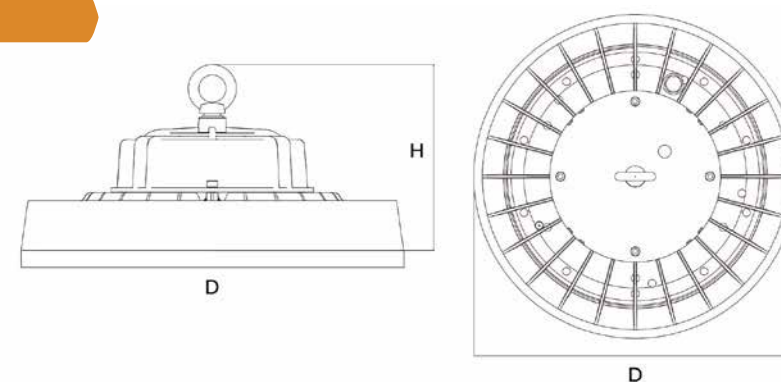
Application scope

Widely used in high-rise factories, workshops, warehouses, logistics centers, exhibition halls, sports venues, shipyards, mines, highway toll stations, gas stations, supermarkets, farmers' markets and other places that require lighting.

Light Distribution Curves



Size



Specifications



Model	100W-B	150W-B	200W-B	240W-B	
Power	100W	150W	200W	240W	
Efficacy	16000lm	24000lm	32000lm	38400lm	
Size(mm)	D241*H150mm	D298*H165mm	D350*H170mm	D350*H170mm	
K.G.	1.8kg	2.2kg	3.1kg	3.1kg	
Input voltage	AC100-277V				
Driving efficiency	>93%	Protection		OTP, OCP, OVP, SCP	
PF	>0.95	THD		<15	
LED	San'an/Lumileds 2835		CCT		2700~6500K
SDCM	<6		CRI		≥70Ra
IP Grade	IP65		IK Grade		IK08
Surge Protection	4KV		Beam Angle		60°/90°/120°
Thermal Conductivity	96 W/m·K				
Work Temp	-40~+60°C				
LED Junction Temp	≤80°C				
Life span	>50,000H				
Security Requirement	CE				
Environmental Directives	RoHS				
Product Material					
Power Wire	Body material	Electronic security level			
Cable(3*0.75mm ²) L=0.3m	Aluminum housing+PC	Class I			



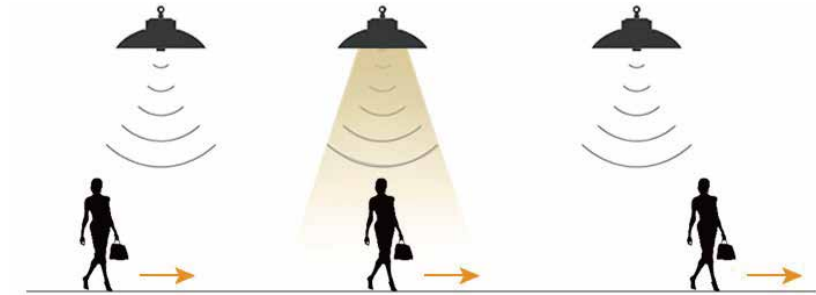
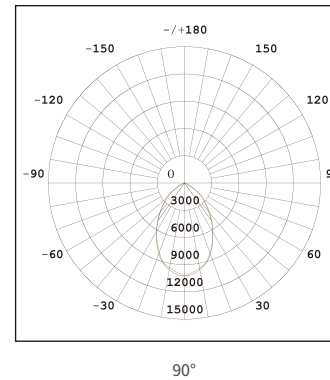
Product Features

- ▶ Using a large brand of high-light LED light sources, the whole lighting effect is 160-200lm/W, High light efficiency and low light decay.
- ▶ When the microwave sensor senses a person walking, the working brightness of the lamp reaches 100%.
- ▶ When the lamp can not sense human movement, and after 10 seconds, the light brightness will be decreased by 50%-30%-20%.
- ▶ After 20 seconds, the light brightness will reduced to 0%.

Application scope

It is widely used for lighting in high shed factories, workshops, warehouses, exhibition halls, stadiums, waiting room, stations, airports, shopping malls, hypermarkets, outdoor, buildings and other places.

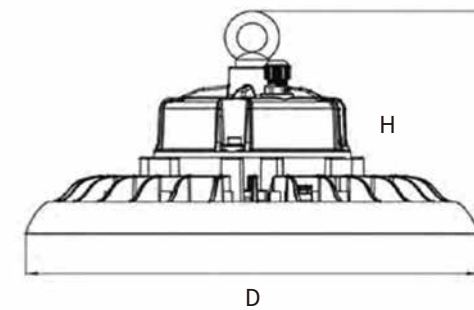
Light Distribution Curves



It will light up 100% once you walk in the sensor area.

10 seconds after you walk out of the sensing area, the light brightness will be reduced to 20%, 30% or 50%.

Size



Specifications



Model	100W-H	150W-H	200W-H	300W-H
Power	100W	150W	200W	300W
Efficacy	160~200lm/W			
Size(mm)	D260*H150	D310*H156	D355*H161	405*H170
K.G.	1.5	2.2	2.9	4.5
Input voltage	AC100-277V			
Driving efficiency	>93%	Protection		OTP, OCP, OVP, SCP
PF	>0.97	THD		<15
LED	San'an/Lumileds 2835		CCT	2700~6500K
SDCM	<6	CRI		≥70Ra
IP Grade	IP65		IK Grade	IK08
Surge Protection	6KV		Beam Angle	90°/120°
Induction Distance	12~15m			
Thermal Conductivity	96W/m·K			
Work Temp	-40~+60°C			
LED Junction Temp	≤80°C			
Life span	>50,000H			
Security Requirement	CE			
Environmental Directives	RoHS			
Product Material				
Power Wire	Body material	Electronic security level		
Cable(3*0.75mm²) L=0.3m	Aluminum housing+PC	Class I		



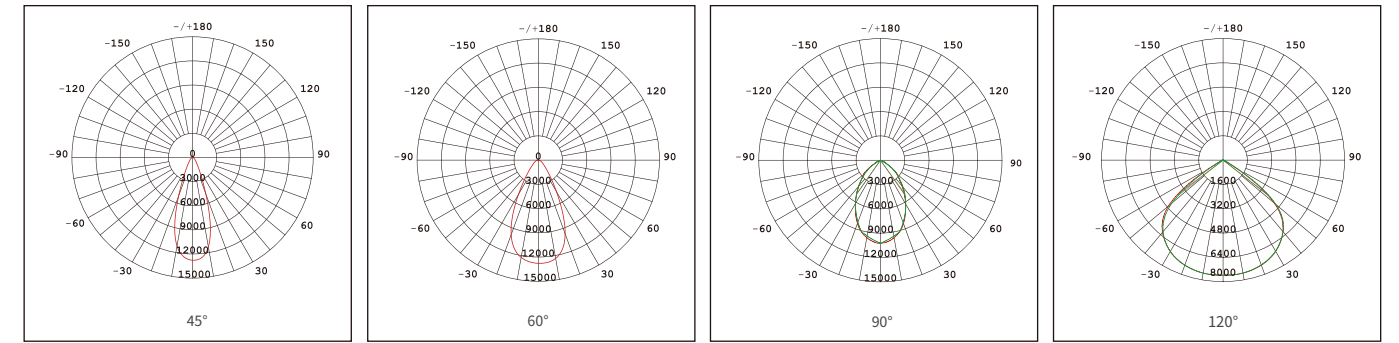
Product Features

- ▶ Use SMD3030 LED, high light efficacy, high CRI, the lamp fixture light efficacy is up to 130lm/w.
- ▶ AC100-277V input constant voltage and constant power supply drive, with short circuit/overvoltage/overcurrent/over temperature protection.
- ▶ 3D three-dimensional heat dissipation design, transparent inside and outside, forming 3D three-dimensional heat dissipation with the upper and lower air ducts of the fins, maximizing heat dissipation;

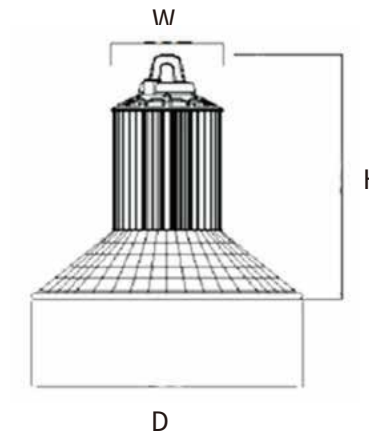
Application scope

Widely used in high-rise factories, workshops, warehouses, logistics centers, exhibition halls, sports venues, shipyards, mines, highway toll stations, gas stations, supermarkets, farmers' markets and other places that require lighting.

Light Distribution Curves



Size



Specifications



Model	50W-A	100W-A	150W-A	200W-A	250W-A
Power	50W	100W	150W	200W	250W
Efficacy	120lm/W				
Size(mm)	D440*H372	D440*H410	D440*H450	D440*H523	D440*H445
K.G.	2.8	4.0	4.4	5.0	7.5
Input voltage	AC100-277V				
Driving efficiency	>93%	Protection		OTP, OCP, OVP, SCP	
PF	>0.97	THD		<15	
LED	San'an/Lumileds 3030		CCT		2700~6500K
SDCM	<6		CRI		≥80Ra
IP Grade	IP54		IK Grade		IK08
Surge Protection	6KV		Beam Angle		45°/60°/90°/120°
Thermal Conductivity	96 W/m · K				
Work Temp	-40~+60 °C				
LED Junction Temp	≤ 80°C				
Life span	≥50,000 Hrs (LM70@35°C)				
Security Requirement	CE				
Environmental Directives	RoHS				
Product Material					
Power Wire	Body material		Electronic security level		
Cable(3*0.75mm²) L=0.3m	Aluminum housing+PC		Class I		



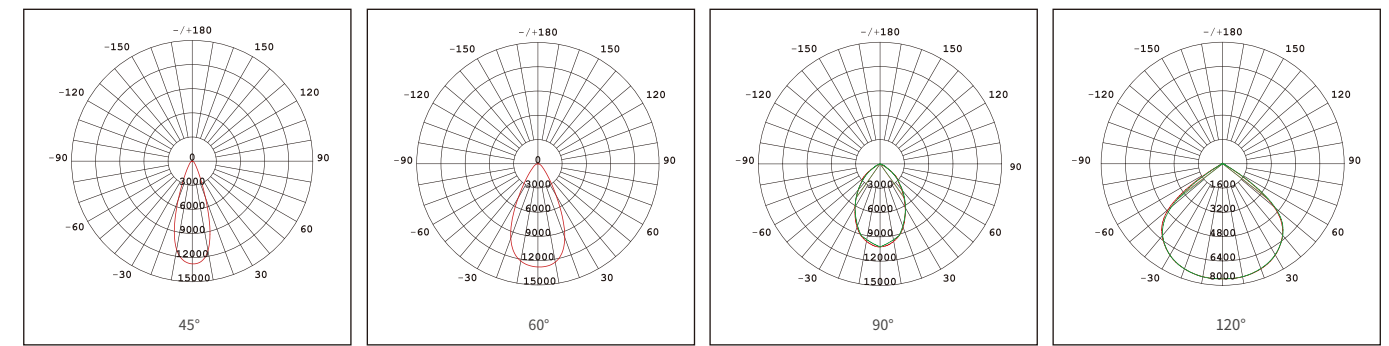
Product Features

- Use SMD3030 LED, high light efficacy, high CRI, the lamp fixture light efficacy is up to 130lm/w.
- AC100-277V input constant voltage and constant power supply drive, with short circuit/overvoltage/overcurrent/over temperature protection.
- The pure copper heat pipe riveting technology transfers the heat generated by the light source through an efficient heat pipe to the modular heat dissipation body, quickly reducing the temperature of the light source and extending its service life;

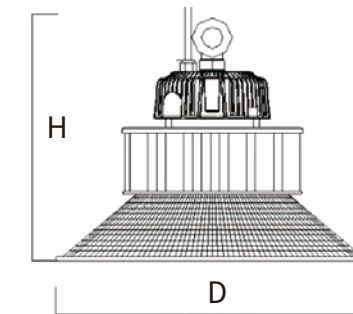
Application scope

Widely used in high-rise factories, workshops, warehouses, logistics centers, exhibition halls, sports venues, shipyards, mines, highway toll stations, gas stations, supermarkets, farmers' markets and other places that require lighting.

Light Distribution Curves



Size



Specifications



Model	60W-B	100W-B	150W-B	200W-B	240W-B
Power	60W	100W	150W	200W	240W
Efficacy	130lm/W				
Size(mm)	D350*H252	D350 *H272	D350*H302	D350*H352	D350*H402
K.G.	2.4	3.4	4.0	5.5	6.2
Input voltage	100-277V				
Driving efficiency	>93%		Protection		OTP, OCP, OVP, SCP
PF	>0.97		THD		15%<THD<20%
LED	San'an/Luds 3030		CCT		2700~6500K
SDCM	<6		CRI		≥ 80 Ra
IP Grade	IP54		IK Grade		IK08
Surge Protection	6KV		Beam Angle		45°/60°/90°/120°
Thermal Conductivity	96 W/m·K				
Work Temp	- 40~+60°C				
LED Junction Temp	≤80°C				
Life span	≥50,000 Hrs (LM70@35°C)				
Security Requirement	CE				
Environmental Directives	RoHS				
Product Material					
Power Wire	Body material		Electronic security level		
Cable(3*0.75mm ²) L=0.3m	Aluminum housing+PC		Class I		



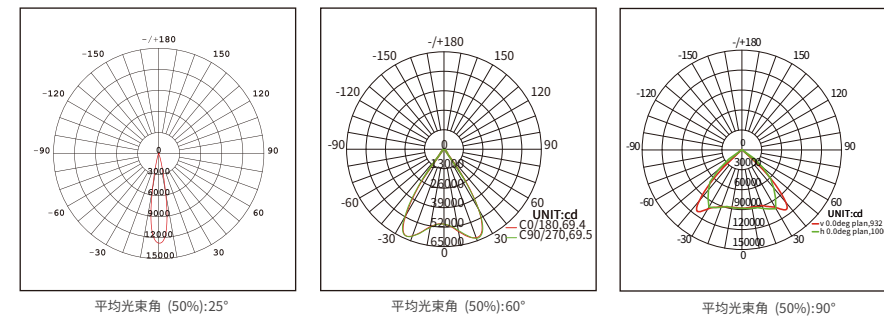
Product Features

- ▶ Use SMD3030 LED, high light efficacy, high CRI, the lamp fixture light efficacy is up to 130lm/w.
- ▶ AC100-277V input constant voltage and constant power supply drive, with short circuit/overvoltage/overcurrent/over temperature protection.
- ▶ Using fin heat dissipation technology to quickly dissipate the heat generated by the light source through fins, quickly overcurrent/over temperature protection.

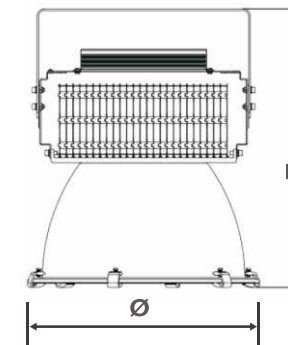
Application scope

Widely used in industrial factories, sports venues, lighting projects, squares, golf courses, ships, airports, docks, subways, overpasses, outdoor, advertising, landmark buildings, and other exterior wall panoramic lighting.

Light Distribution Curves



Size



Specifications



Model	400W-D	500W-D	800W-C	1000W-C	1500W-C
Power	400W	500W	800W	1000W	1500W
Lumen	52000lm	65000lm	104000lm	130000lm	195000lm
Size(mm)	Φ416*H496	Φ416*H498	Φ407*H607	Φ460*H625	Φ572*H608
Efficacy	130lm/W				
CCT	2700-6500K				
CRI	≥80Ra				
LED	San'an/Lumileds/Osram 3030				
PF	>0.95				
Input voltage	AC100-277V				
THD	15%<THD<20%				
Beam Angle	25°, 60°, 90°				
Work Temp	-40~+60°C				
LED Junction Temp	≤80°C				
Humidity	25%~90% RH				
Life span	≥50,000 Hrs (LM70@35°C)				
IP Grade	IP66				
IK Grade	IK08				
Product Material					
Power Wire	Body material	Electronic security level			
Cable(3*1mm ²) L=0.3m	Aluminum housing+glass	Class I			



Bracket installation



Rope installation

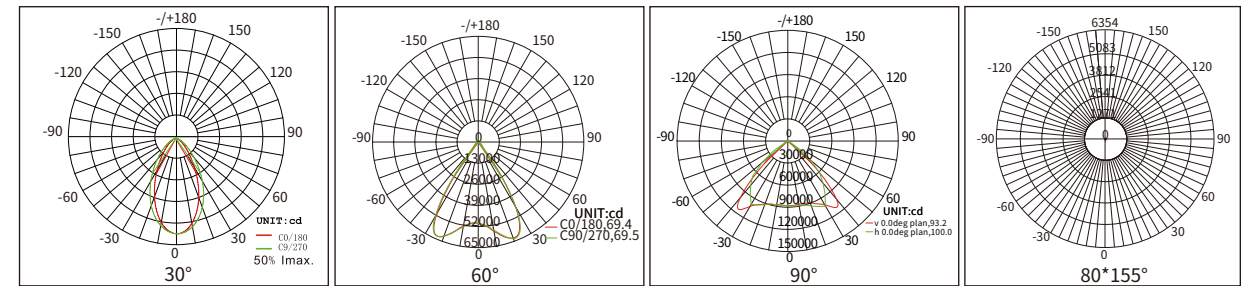
Product Features

- ▶ Use SMD3030 LED, high light efficacy, high CRI, the lamp fixture light efficacy is up to 130lm/w.
- ▶ AC100-277V input constant voltage and constant power supply drive, with short circuit/overvoltage/overcurrent/over temperature protection.
- ▶ 1060 aluminum material, surface oxidation and powder spraying treatment, whole lamp IP65, waterproof and dustproof, corrosion resistant.
- ▶ Multi mode 3D three-dimensional heat dissipation, air convection duct design, uniform heat dissipation, and maximum heat dissipation.

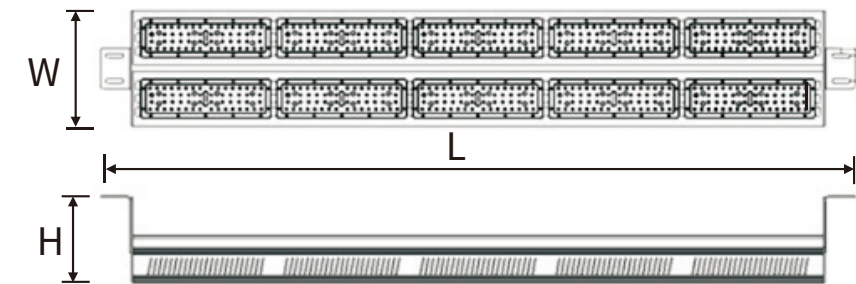
Application scope

Widely used in high-rise factories, workshops, warehouses, logistics centers, exhibition halls, sports venues, shipyards, mines, highway toll stations, gas stations, supermarkets, farmers' markets and other places that require lighting.

Light Distribution Curves



Size



Specifications



Model	50W-A	100W-A	150W-A	200W-A	250W-A	300W-A	400W-A	500W-A
Power	50W	100W	150W	200W	250W	300W	400W	500W
Lumen	6500lm	13000lm	19500lm	26000lm	32500lm	39000lm	52000lm	65000lm
Size(mm)	L353*W115*H144	L620*W115*H144	L887*W115*H144	L1154*W115*H144	L1421*W115*H144	L947*W230*H173	L1214*W230*H173	L1481*W230*H173
N.G.	1.7	3.4	4.4	5.3	6.3	9	11	13
Efficacy	130lm/W							
CCT	3000K~6500K							
CRI	≥80Ra							
Input voltage	AC100-277V							
Beam Angle	30°/60°/90°/60°120°/80°155°							
Body material	Aluminum housing+PC							
Work Temp	-40°C ~ + 60°C							
IP Grade	IP65							
Life span	≥50,000 Hrs (LM70@35°C)							
Power Wire	Cable(3*1mm ²) L=0.3m							



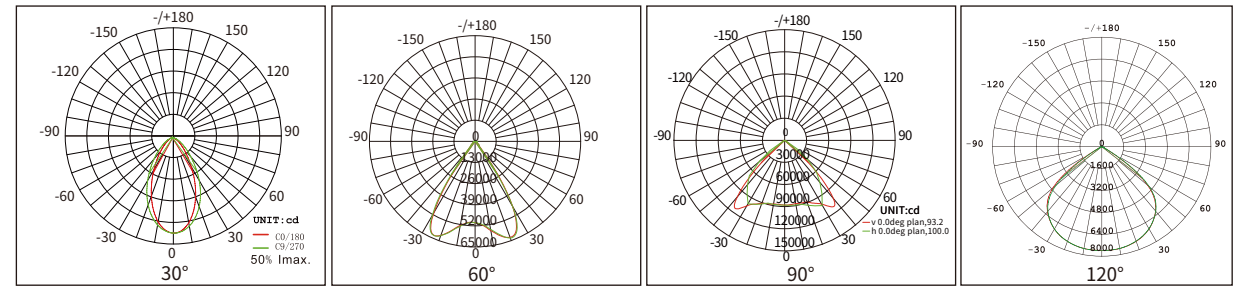
Product Features

- ▶ Adopting international first-class brand lamp beads with high luminous efficiency, high finger display, and low light attenuation, with a long service life.
- ▶ Multiple lens angles, suitable for different locations, 30°/60°/90°/120°.
- ▶ One body die casting, thickened heat dissipation ribs, quickly and evenly dissipate the heat generated by the light source, extending its service life.
- ▶ Glass front buckle design, IP66 waterproof and dustproof.

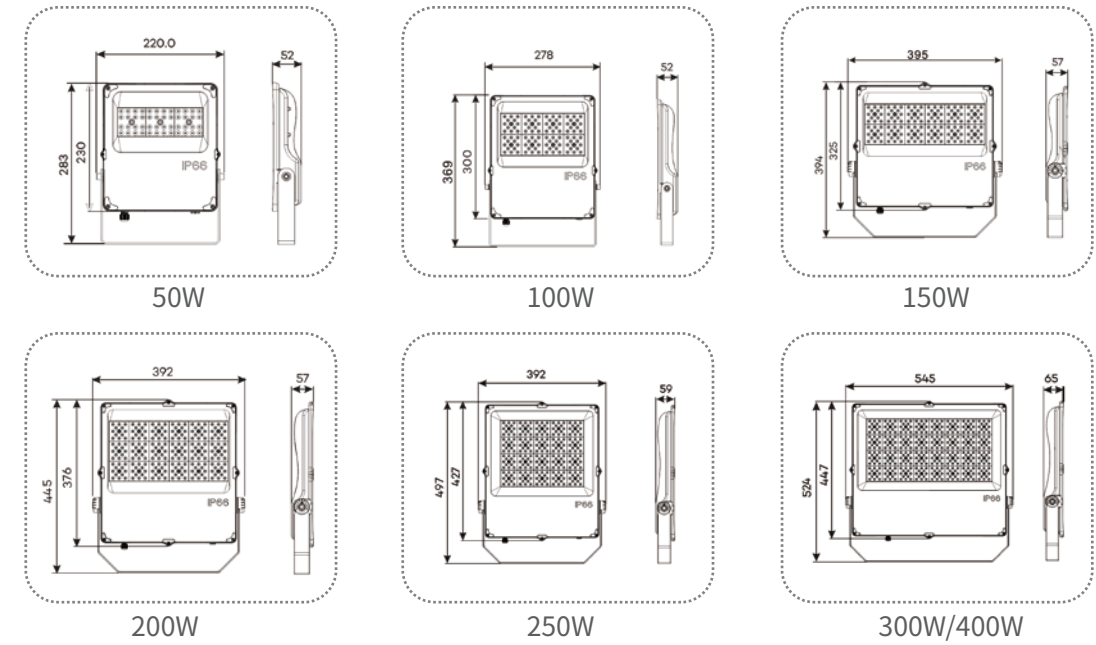
Application scope

Widely used in shopping malls, exhibition halls, parking lots, sports fields, gyms, billboards, parks, sculptures, green lighting projects, building facades, as well as indoor and outdoor lighting for public corridors, staircases, and corridors.

Light Distribution Curves



Size



Specifications



Model	30W-H	50W-H	100W-H	150W-H	200W-H	250W-H	300W-H	400W-H
Power	30W	50W	100W	150W	200W	250W	300W	400W
Lumen	3600lm	6000lm	12000lm	18000lm	24000lm	30000lm	36000lm	48000lm
Efficacy	120lm/W							
CCT	2700-6500K							
CRI	≥80Ra							
LED	San'an, Lumileds/Osram 3030							
PF	>0.95							
Input voltage	AC100-277V							
THD	15%<THD<20%							
N. G.	1.3	1.7	2.8	4.8	5.4	6.2	9.8	10.2
Size(mm)	242*169*51	283*220*52	369*278*52	394*395*57	445*392*57	497*392*59	524*545*65	524*545*65
Beam Angle	30°/ 60°/ 90°/ 120°							
Work Temp	-40~+60°C							
LED Junction Temp	≤80°C							
Humidity	25%~90% RH,							
Life span	≥50000H							
IP Grade	IP66							
IK Grade	IK08							
Body material								
Power Wire	Product Material			Electronic security level				
Cable(3*1mm ²) L=0.5m	PC+ Aluminum+PC+Glass			Class I				



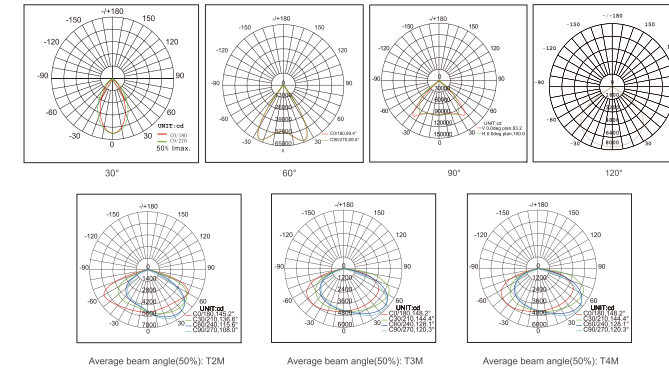
Product Features

- ▶ Power range: 50W-300W.
- ▶ Light efficacy 130~150lm/W.
- ▶ Beam angles: 30° 60° 90° 120° T2 T3 T4.
- ▶ The whole lamp 180°adjustable.
- ▶ Ingress Protection IP66,
- ▶ Die-casting aluminum body, anti-corrosion powder painting.
- ▶ Ultra-thin and streamlined appearance design, exquisite and fashionable.

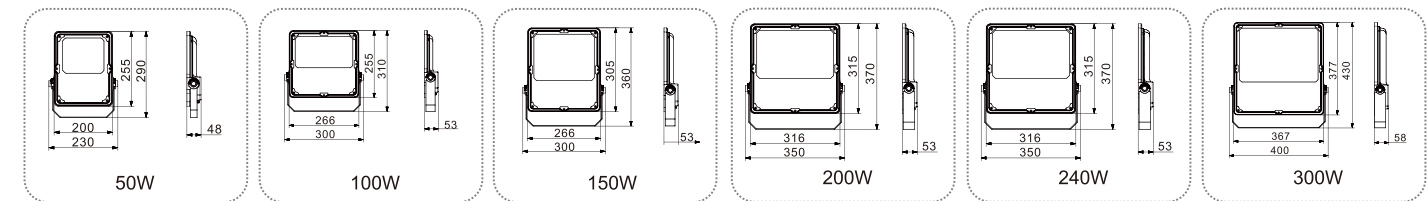
Application scope

Widely used in shopping malls, exhibition halls, parking lots, sports fields, gyms, billboards, parks, sculptures, green lighting projects, building facades, as well as indoor and outdoor lighting for public corridors, staircases, and corridors.

Light Distribution Curves



Size



Specifications



Mode	50W-F	100W-F	150W-F	200W-F	240W-F	300W-F	400W-F	500W-F	600W-F
Power	50W	100W	150W	200W	240W	300W	400W	500W	600W
Lumen	7500lm	15000lm	22500lm	30000lm	32400lm	45000lm	60000lm	75000lm	90000lm
Efficacy	150lm/W±5%	150lm/W±5%	150lm/W±5%	150lm/W±5%	135lm/W±5%	150lm/W±5%	150lm/W±5%	150lm/W±5%	150lm/W±5%
CCT	2700-6500K								
CRI	≥70Ra								
LED	Lumileds 2835								
PF	>0.97								
Input Voltage	AC100-277V(MOSO)								
THD	15%<THD<20%								
N.G.	1.3	2.2	2.8	3.8	3.8	5.7	10.9	11	14.2
Size(mm)	290*230*48	310*300*53	360*300*53	370*350*53	370*350*53	430*400*58	560*555*76	560*555*76	630*630*76
Beam Angle	30°/60°/90°/120°/T2/T3/T4/T5								
Work Temp	-40~+60°C								
LED Junction Temp	≤80°C								
Humidity	25%~90% RH,								
Life span	≥50000H								
IP Grade	IP66								
IK Grade	IK08								
Product Material									
Power Wire	Body material			Electronic security level					
Cable(3*1mm²) L=0.5m	铝 Aluminum+PC+Glass			Class I					

A/LED Solar Flood Light-A



- Low Power Consumption
- Solar Charging
- Intelligent Light Control
- IP67 Waterproof

Intelligent Remote Control Timing



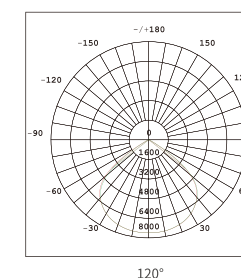
Product Features

- ▶ New design; Thicker Die-casting aluminum housing and toughened glass, strong, practical and high hardness, not easy to damage.
- ▶ IP67 waterproof grade.
- ▶ Scientific reflector with wider irradiation area and high Brightness.
- ▶ Imported high-efficiency monocrystalline silicon; Photoelectric conversion rate > 20%.
- ▶ The bracket can be 180° adjustable.
- ▶ Large capacity built-in LiFePO4 battery, longvity>2000C cycles.
- ▶ Beam angle is 120°, wide lighting area.
- ▶ With Light-induction and Intelligent remote control(Time-control-Auto/3H/5H/8H), flexible to switch via remote control.
- ▶ Remote control distance up to 15 meters.

Application scope

Widely used in shopping malls, exhibition halls, parking lots, sports fields, gyms, billboards, parks, sculptures, green lighting projects, building facades, as well as indoor and outdoor lighting for public corridors, staircases, and corridors.

Light Distribution Curves



Size

Power	Lamp size
40A	5V6W 207*227*17(mm)
60A	5V12W 215*391*17(mm)
100A	5V24W 336*391*17(mm)
200A	5V36W 490*391*17(mm)



Specifications



Mode	40A	60A	100A	200A
Power(LED)	40W	60W	100W	200W
LED	5730 SMD 66pcs	5730 SMD 86pcs	5730 SMD 164pcs	5730 SMD 280pcs
Illuminating Area	60m ²	100m ²	160m ²	260m ²
Colour Temperature	6000K~6500K			
LiFePO4 Battery	3.2V/6AH	3.2V/12AH	3.2V/24AH	3.2V/36AH
Solar Panel	5V6W 207*227*17(mm)	5V12W 215*391*17(mm)	5V24W 336*391*17(mm)	5V36W 490*391*17(mm)
Beam Angle	120°			
Solar Charging Time	6~8 hours by bright sunlight			
Working Time	14-16 hours (Rainy days)			
Material	Die-casting aluminum			
Control Mode	Light-Induction + Time Control			
Remote Control	IP67			
Working Temperature	-15°C to 60°C			
Certification	CE / ROHS			
Warranty	3 Years			
Product Size(mm)	232*185*53	256*208*65	305*250*75	357*276*80
Net Weight per Set(kg)	1.66	2.4	3.5	4.7



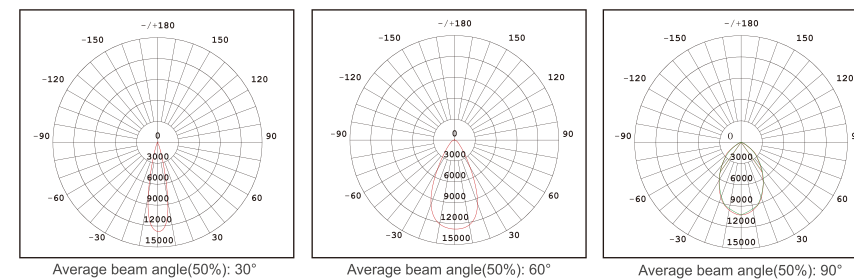
Product Features

- ▶ Strong bracket, more solid installation.
- ▶ Optical PC lens, no-yellowing material; Light transmittance of PC more than 93%.
- ▶ Silicone waterproof sealing strip. UV-resistant material, reliable without failure.
- ▶ 3030 SMD light source design, luminous efficiency 130lm/W.
- ▶ Super competitive IP66 Die-casting modular stadium floodlights 100W-1200W.
- ▶ With Driver box (to avoid driver totally external).
- ▶ Beam angle : 30/60/90 degrees optional.
- ▶ Perfect corrosion proof : All 304 stainless steel screws, die-casting pure aluminum radiator, good heat dissipation, ultra-low luminous decay<10%.
- ▶ Intelligent dimming system.0~10V, DMX, and DALI dimming models are available.

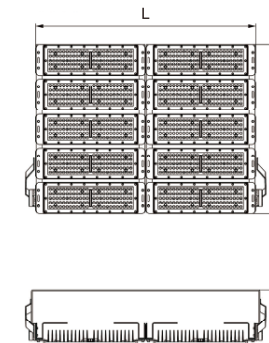
Application scope

Widely used in highway tunnel lighting, municipal landscape lighting, building lighting, warehouses,high-rise factories, outdoor advertising and other places that require outdoor lighting.

Light Distribution Curves



Size



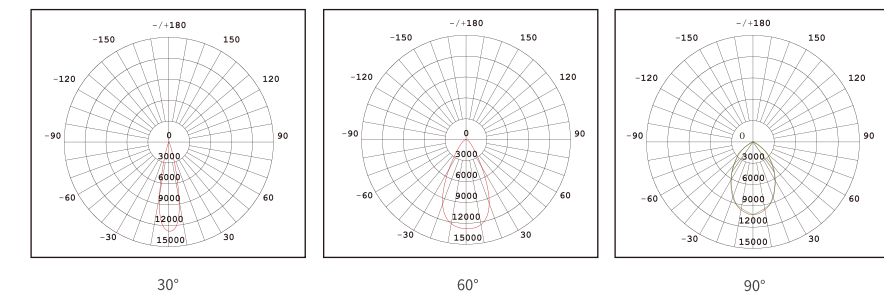
Specifications



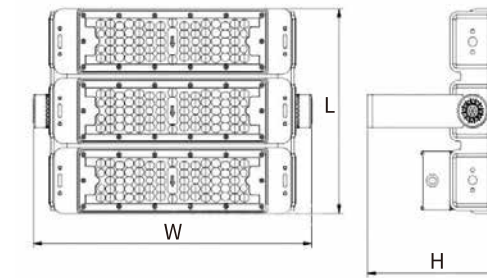
Model	100W-G	200W-G	300W-G	400W-G	500W-G	600W-G	800W-G	1000W-G	1200W-G
Power	100W	200W	300W	400W	500W	600W	800W	1000W	1200W
Lumen (lm)	13000	26000	39000	52000	65000	78000	104000	130000	156000
Efficacy	130lm/W±5%								
CCT	2800-3000K; 3000-3200K; 4000-4500K; 5000-5500K; 6000-6500K								
CRI	≥70Ra								
LED	San'an/Lumileds SMD 3030								
PF	>0.97								
Input Voltage	AC100-277V(MOSO); AC100-277V(Normal)								
THD	15%<THD<20%								
Weight (kg)	3.1	4.6	6.1	7.8	10.6	12.6	16.3	19.8	25.5
Sizes(mm)	400*100*180	400*205*180	400*305*180	400*410*180	400*515*180	400*620*180	765*410*180	765*515*180	765*620*180
Beam Angle	30°/60°/90°								
Work Temp	-35~+55℃								
Humidity	15%~90% RH, no condensing								
Finish	Sprayed with outdoor special powder								
Life Span	≥50,000 Hrs (LM80 @ 35℃)								
IP Grade	IP66								
IK Grade	IK08								
Product Material									
Power Wire			Body material				Electronic safety grade		
Rubber cable(3*1mm²) L=0.5m			PC lens + Aluminum housing				Class I		



Light Distribution Curves



Size



Specifications



Model	50W-G	100W-G	150W-G	200W-G	250W-G	300W-G	400W-G
Power	50W	100W	150W	200W	250W	300W	400W
Lumen	6500	13000	19500	26000	32500	39000	52000
Efficacy	130lm/W						
CCT	2700-6500K						
CRI	≥80Ra						
LED	San'an/Lumileds/Osram 3030/5050						
PF	>0.97						
Input voltage	AC100-277V						
THD	15%<THD<20%						
N.G.	3	4.5	6	7.1	8.3	10.5	12.6
Size(mm)	175*350 75	250*350 75	340*350 75	410*350 75	485*350 75	575*350 75	665*370 75
Beam Angle	30°/60°/90°/70°*145°						
Work Temp	-40~+60 °C						
Humidity	25%~90% RH,						
Surface	Sprayed with outdoor special powder						
Life span	≥50,000 Hrs (LM70@35 °C)						
IP Grade	IP66						
IK Grade	IK08						
Product Material							
Power Wire	Body material		Electronic security level				
3*1mm ²) L=0.5m	Aluminum+PC+Glass		Class I				

Product Features

- ▶ The light source adopts SMD 3030 lamp beads, with 80 display fingers, and the overall lighting effect is 130LM/W.
- ▶ AC100-277V input constant voltage and constant current power supply drive, with short circuit/overvoltage/overcurrent /over temperature protection.
- ▶ Adopting a high transmittance PC lens, the light output is uniform and soft, with a transmittance of >92%.
- ▶ Protection level IP66, surface powder baking process, strong corrosion resistance, suitable for harsh outdoor environments.

Application scope

Widely used in highway tunnel lighting, municipal landscape lighting, building lighting, warehouses, high-rise factories, outdoor advertising and other places that require outdoor lighting.



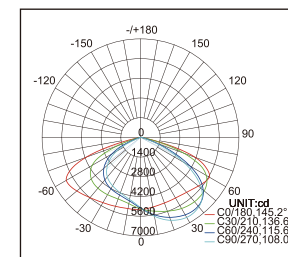
Product Features

- ▶ Integrated die-casting aluminum.
- ▶ High efficiency, 170lm/W±5% available.
- ▶ 0-10V dimming/time control/light sensor/IOT control available.
- ▶ Flat honeycomb design, good heat dissipation.
- ▶ Angle of mounting shaft can be installed and adjusted 90/180°(±15%).
- ▶ The protection level reaches IP67.

Application scope

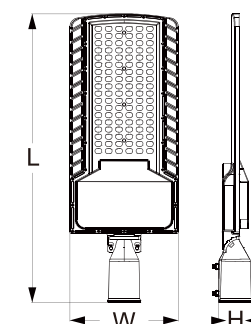
Widely used for lighting on main roads, highways, urban streets, bridges, pedestrian walkways, and other places that require outdoor lighting such as squares, schools, residential areas, industrial areas, parks, etc.

Light Distribution Curves



Average beam angle(50%): T2M

Size



Specifications



Model	30W-B	50W-B	70W-B	100W-B	150W-B	200W-B	240W-B
Power	30W	50W	70W	100W	150W	200W	240W
Lumen	5100lm	8500lm	11900lm	17000lm	25500lm	34000lm	40800lm
Light Efficacy	170lm/W±5%						
CCT	2800-3000K; 3000-3200K; 4000-4500K; 5000-5500K; 6000-6500K						
LED	Lumileds 2835						
CRI	≥70Ra						
PF	>0.97						
LED Junction Temp	≤80°C						
Humidity	15%~90% RH,						
Finish	Sprayed with outdoor special powder						
Life span	≥50,000 Hrs (LM80@35°C)						
Input Voltage	AC85-265V Normal	AC100-277V (Moso)					
THD	THD<15%						
N.G.	1.2	1.6	1.8	1.9	2.2	2.5	2.7
Size(mm)	L438*W108 *H75	L467*W175 *H75	L564*W221 *H75	L564*W221 *H75	L647*W241 *H75	L740*W276 *H75	L740*W276 *H75
Beam Angle	T2M						
Mounting Hole(mm)	Ø60						
Work Temp	-40~+60°C						
IP Grade	IP66						
Body Material	Aluminum+PC						



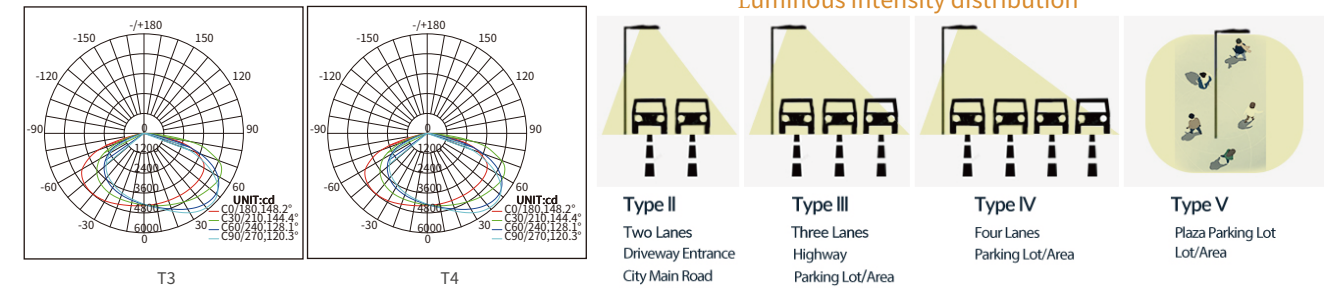
Product Features

- Using high luminous efficiency SMD3030 lamp beads, the overall lighting efficiency can reach 130LM/W.
- AC100-277V input constant voltage and constant current power supply drive, with short circuit/overvoltage/overcurrent/over temperature protection.
- 1060 aluminum material, modular design, surface oxidation and powder spraying treatment, IP66 for the entire lamp, waterproof, dustproof, and corrosion-resistant.
- The appearance is designed with no dust accumulation and fluid dynamics, natural dust removal, faster heat dissipation, and improved lamp life.

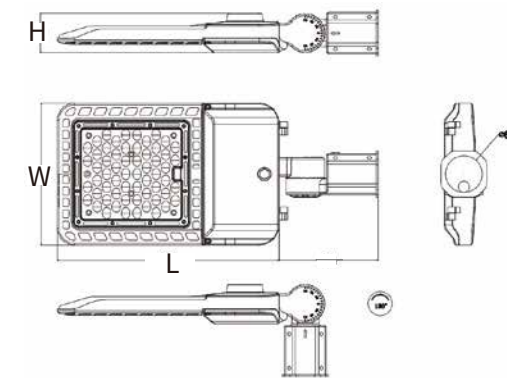
Application scope

Widely used for lighting on main roads, highways, urban streets, bridges, pedestrian walkways, and other places that require outdoor lighting such as squares, schools, residential areas, industrial areas, parks, etc.

Light Distribution Curves



Size



Specifications



Model	100W-G2	150W-G2	200W-G2	240W-G2	300W-G2
Power	100W	150W	200W	240W	300W
Lumen	13000lm	19500lm	26000lm	31200lm	39000lm
Efficacy	130lm/W				
CCT	2700-6500K				
LED	San'an/Lumileds/Osram 3030/5050				
CRI	≥80Ra				
PF	>0.97				
Input Voltage	AC100-277V				
THD	THD<15%				
N.G.	3.4	4.0	4.4	4.6	6.4
Size(mm)	L519*W210*H70	L565*W250*H70	L589*W280*H75	L589*W280*H75	L674*W300*H80
Beam Angle	T3/T4				
Mounting Hole(mm)	Ø65				
Work Temp	-40~+60°C				
LED Junction Temp	≤80°C				
Humidity	15%~90% RH				
Surface	Sprayed with outdoor special powder				
Life Span	≥50,000 Hour (LM70@35°C)				
Anti-surating	6KV				
IP Grade	IP66				
IK Grade	IK08				
Product Material					
Power Wire	Body Material	Electronic Security Level			
Cable(3*1mm ²) L=0.5m	Aluminum Housing+PC	Class I			



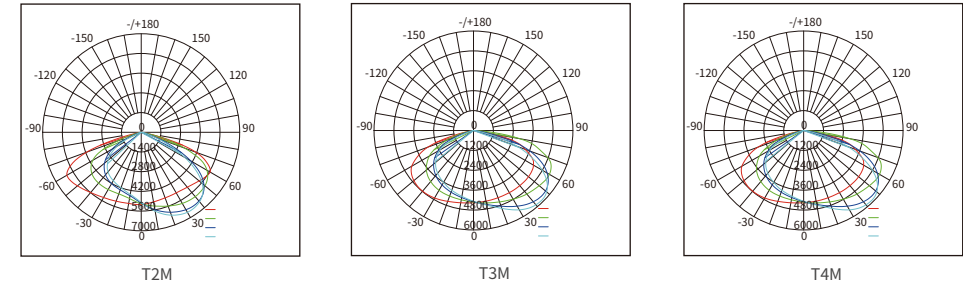
Product Features

- ▶ Adopting large brand lamp beads of San'an/Lumileds/Osram, with low light attenuation, highCRI, and light efficiency, up to 130LM/W.
- ▶ The buckle design allows for easy access for maintenance and repair without the need for tools.
- ▶ Integrated IP66 waterproof design, surface sprayed with outdoor specialized powder, waterproof and dustproof.
- ▶ Using rubber wire, which is resistant to high and low temperatures customizable wire and plug installation.

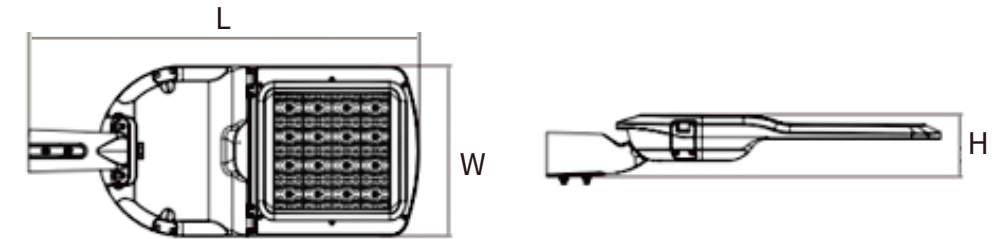
Application scope

Widely used for lighting on main roads, highways, urban streets, bridges, pedestrian walkways, and other places that require outdoor lighting such as squares, schools, residential areas, industrial areas, parks, etc.

Light Distribution Curves



Size



Specifications

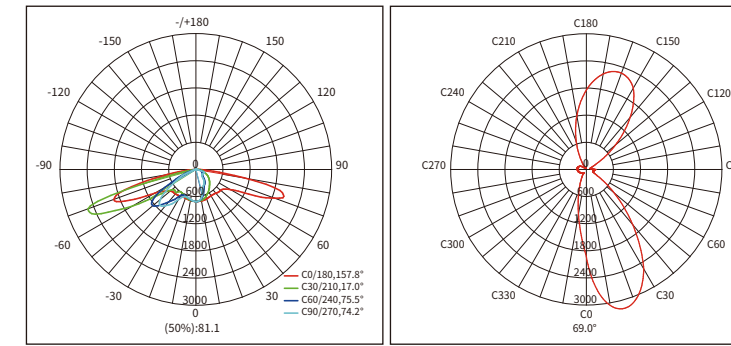


Model	50W-P	100W-P	150W-P	200W-P	300W-P
Power	50W	100W	150W	200W	300W
Lumen	6500lm	13000lm	19500lm	26000lm	39000lm
Efficacy	130lm/W				
CCT	2700-6500K				
LED	San'an/Lumileds/Osram 3030/5050				
CRI	≥80Ra				
PF	>0.97				
Input Voltage	AC100-277V				
THD	THD<15%				
N.G.	3.7	4.8	5.6	6.2	7.8
Size(mm)	L568*W200 *H109mm	L613*W240 *H109mm	L683*W260 *H109mm	L693*W300 *H109mm	L793*W300 *H109mm
Beam Angle	T2M/ T3M/T4M				
Mounting Hole(mm)	Ø40/Ø50/Ø60				
Work Temp	-40~+60°C				
Work Temp	≤80°C				
Humidity	15%~90% RH,				
Surface	Sprayed with outdoor special powder				
Life Span	≥50,000 Hrs (LM70@35°C)				
Anti-surating	6KV				
IP Grade	IP66				
IK Grade	IK08				
Product Material					
Power Wire	Product Material		Electronic Security Level		
Cable(3*1mm ²) L=0.5m	Aluminum+PC+Glass		Class I		

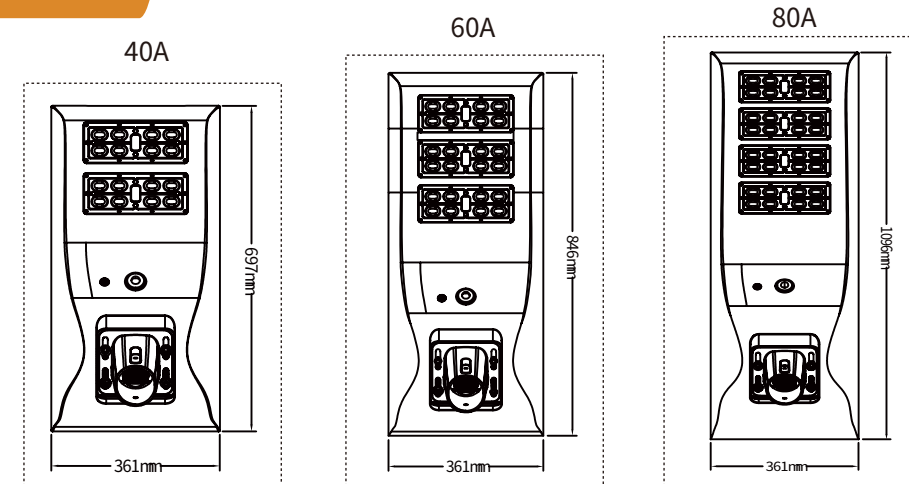


180
Lm/w

Light Distribution Curves



SIZE



Product Features

- Beam angle is 80°*155°, wide lighting area.
- Whole lamp can be 30° adjustable.
- Remote control distance up to 15 meters.
- Built-in large capacity LifePO4 battery.
- Imported high-efficiency monocrystalline silicon.

Application scope

Widely used for lighting on main roads, highways, urban streets, bridges, pedestrian walkways, and other places that require outdoor lighting such as squares, schools, residential areas, industrial areas, parks, etc.

Specifications



Model	40-A	60-A	80-A
Mono solar panel	18V 37W	18V 44W	18V 57W
Battery capacity	12.8V 12AH	12.8V 18AH	12.8V 24AH
CCT	2700K-6500K		
Efficacy	180LM/W		
Charging Time	6~8 hours by bright sunligh		
Working Time	12-15 hours (5-7 rainy days)		
Control Mode	Time control + Microwave induction or Infrared induction		
IP Rating	IP66		
Mounting Height	4-6m	5-7m	6-8m
Installation Distance	10-20m	15-25m	20-30m
Mounting hole	φ78mm		
Warranty	3 years		
Size(mm)	697*361*209	846*361*209	1096*361*209
K.G.	7.7	9.5	11.7



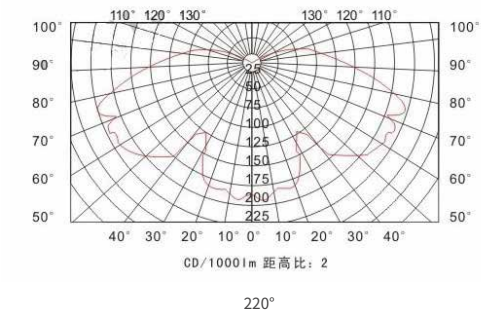
Product Features

- High strength aluminum alloy shell, waterproof and explosion-proof, not easy to corrode, with a long service life and a light efficiency of up to 130LM/W;
- Thickened material, multi panel design for fast heat dissipation, keeping the light source in use for a long time;
- Designed using advanced optics and lighting principles, the light is soft, the illumination is uniform, and there is no glare;
- The outer shell is made of aluminum alloy die-casting, and the surface is treated with high-pressure electrostatic spray molding;

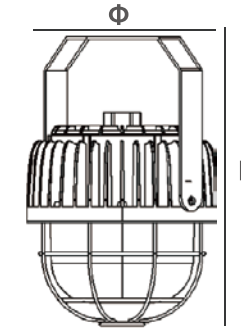
Application scope

Suitable for Zone 1 and Zone 2 locations with high protection requirements, humid environments, and explosive gas environments, as well as Class 1A, 1B, and IIC explosive gas environments and T1-T6 temperature groups

Light Distribution Curves



Size



Specifications



Model	40W-EX	60W-EX	80W-EX	120W-EX
Power	40W	60W	80W	120W
Lumen	5200lm	7800lm	10400lm	15600lm
N.G.	3.2	3.5	4.2	4.5
Size(mm)	φ 150*H280	φ 150*H280	φ 190*H300	φ 190*H300
Efficacy	130lm/W			
CCT	2700-6500K			
CRI	≥80Ra			
LED	San'an/SMD 3030			
PF	>0.95			
Input voltage	AC100-277V			
THD	15%<THD<20%			
Beam Angle	220°			
Work Temp	-40~+60°C			
LED Junction Temp	≤80°C			
Humidity	25%~90% RH,			
Life span	>50000H			
IP Grade	IP65			
IK Grade	IK08			
Body material				
Power Wire	Product Material	Electronic security level		
Cable(3*1mm ²) L=0.5m	Aluminum+Glass	Class I		

LED/Energy saving solution for LED lights

Light source	Light source efficacy (Lm/w)	CRI	Light use efficiency	Light efficiency Lm/w)	LED useful light effect/others LED	energy conservation proportion
LED light LED	130	80	90%	93.6	/	/
Energy saving light	70	80	60%	33.6	2.7	63%
Metal Halide lamp	80	60	60%	28.8	3.3	70%
Sodium light	130	30	60%	23.4	4	75%

EXPLAIN:

1. Light utilization ratio: LED uses optical glass for light distribution, and the light utilization ratio is more than 90%; Energy saving lamps, metal halide lamps, and sodium lamps use lampshades to reflect light, with a light utilization rate of 60%.
2. Useful light efficiency=light source light efficiency * color rendering index% light utilization rate.

CONCLUSION:

1. LED replaces energy-saving lights, with 1W LED=2.7W energy-saving lights. under the same illumination requirements, the single lamp power is reduced by about 63%, and the total power capacity of the entire lighting area is correspondingly reduced by 63%. Therefore, the specifications of cables, transformers, distribution cabinets, air switches, etc. in power transmission and distribution have been correspondingly reduced. This reduces the cost of power transmission and distribution equipment.
2. LED replaces metal halide lamp, 1WLED=3.3W metal halide lamp. Under the same illumination requirements, the single lamp power is reduced by about 70%, and the total power capacity of the entire lighting area is correspondingly reduced by 70%. Therefore, the specifications of cables, transformers, distribution cabinets, air switches, etc. in power transmission and distribution have been correspondingly reduced. This reduces the cost of power transmission and distribution equipment.
3. LED replaces sodium lamp, 1WLED=4W sodium lamp. Under the same illumination requirements, the single lamp power is reduced by about 75%, and the total power capacity of the entire lighting area is correspondingly reduced by 75%. Therefore, the specifications of cables, transformers, distribution cabinets, air switches, etc. in power transmission and distribution have been correspondingly reduced, thereby reducing the cost of power transmission and distribution equipment.

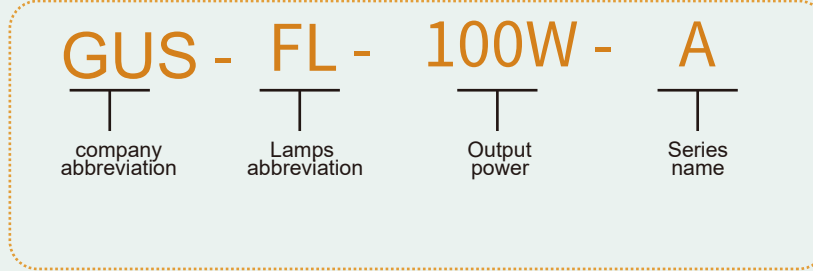
LED Alternative Energy Saving Lamp Scheme LED

LED	10W	17W	24W	30W	40W	50W	65W	80W	100W
Energy-saving light	25W	45W	65W	80W	100W	135W	155W 185W	215W 245W	245W 265W

LED replacement for metal halide lamps and sodium lamps LED

LED	320W~500W	160W~200W	100W~130W	65W/80W	30W/40W	17W/24W
Metal halide lamp/sodium lamp	1000W	400W	250W	150W	100W	70W

Model



Color temperature comparison

Adjustable color temperature

2700K~6500K

2700K~6500K color temperature adjustable, warm and cold lighting, suitable for different usage scenarios .



2700K/Amber light

3000K/Warm white light

3500K/Moonlight



4000K/Naturally white

5000K/Neutral white

6000K/Ortho white light