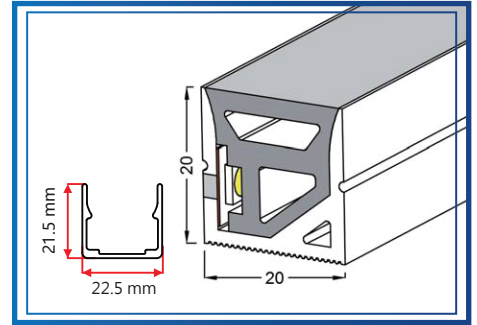
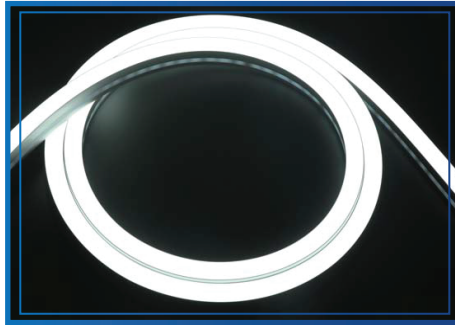
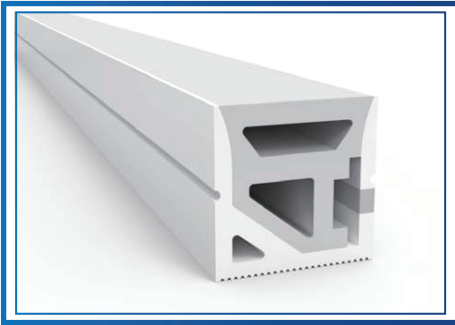
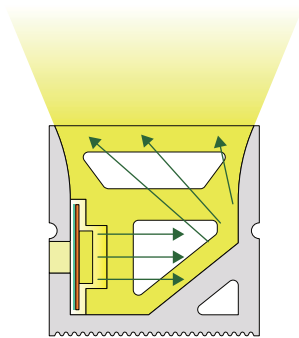


AUNF10 Top View 20*20(mm)



PCB Width(mm)	10
Weight(g/m)	344
Section size(mm)	20*20
Beam angle	120°



Lighting Direction: Side Lighting

Cutting mark: Yes



End cap with hole



End cap no hole



Aluminum Clip



Aluminum Profile