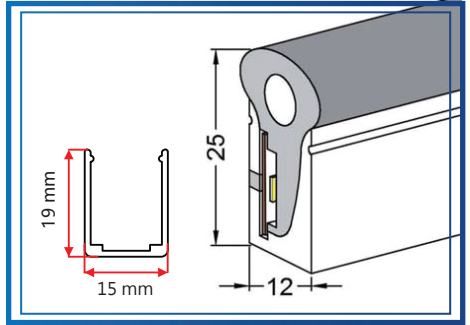
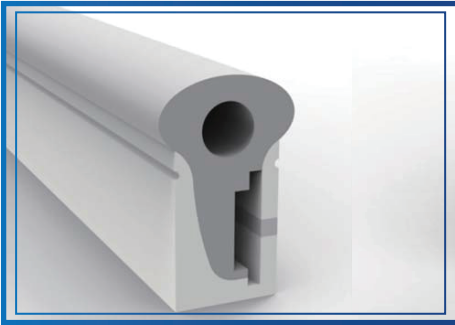
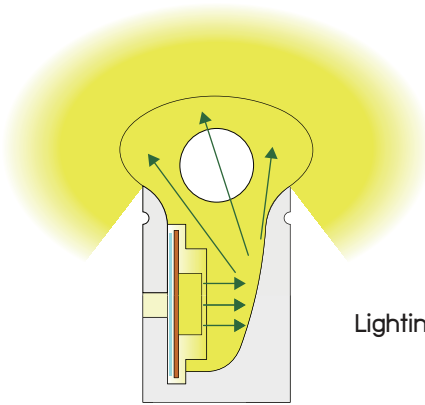


# AUNF32 Side View 12\*25(mm)



PCB Width(mm)	12
Weight(g/m)	315
Section size(mm)	12*25
Beam angle	270°



Lighting Direction: Side Lighting

Cutting mark: Yes



End cap with hole



End cap no hole



Aluminum Clip



Aluminum Profile



Flexible Profile