



AULB9007-C-3

SPECIFICATION

HOUSING :HIGH COLD-ROLLED STEEL SHEET FORMED BY HIGH QUALITY MACHINES

SURFACE TREATMENT :ION-PHOSPHATE AND ANTI-RUST FINISHED WITH UV RESISTANT POLYESTER POWDER COAT

REFLECTOR :HIGH GRADE ANODIZED ALUMINIUM (SPECULAR)

DIFFUSER :VANDAL RESISTANT TEMPERED GLASS (FROSTED)

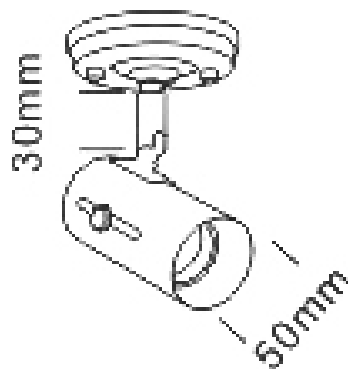
COLOR :MATT WHITE, BLACK, WHITE

PROTECTION CLASS :PROTECTION CLASS EQUIVALENT TO IP 44

INSTALLATION :SURFACE MOUNT

APPLICATION :OFFICE BUILDING, HOSPITAL, DEPARTMENT STORE HOTEL, RESTAURANT, GOVERNMENTAL BUILDING SHOP, RESIDENTIAL, ETC.

MODEL	DIMENSION(mm.)		LAMP	LUMEN	LAMP TYPE
	Ø	W	HOLDER	(MAX)	
AULB9007-C-3	50	30	E27		





AULB9007-C-10

SPECIFICATION

HOUSING :HIGH COLD-ROLLED STEEL SHEET FORMED BY
HIGH QUALITY MACHINES

SURFACE TREATMENT :ION-PHOSPHATE AND ANTI-RUST FINISHED WITH UV
RESISTANT POLYESTER POWDER COAT

REFLECTOR :HIGH GRADE ANODIZED ALUMINIUM (SPECULAR)

DIFFUSER :VANDAL RESISTANT TEMPERED GLASS (FROSTED)

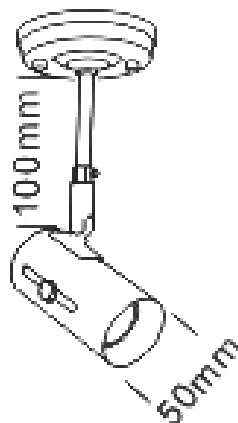
COLOR :MATT WHITE, BLACK, WHITE

PROTECTION CLASS :PROTECTION CLASS EQUIVALENT TO IP 44

INSTALLATION :SURFACE MOUNT

APPLICATION :OFFICE BUILDING, HOSPITAL, DEPARTMENT STORE
HOTEL, RESTAURANT,GOVERNMENTAL BUILDING
SHOP, RESIDENTIAL, ETC.

MODEL	DIMENSION(mm.)		LAMP	LUMEN	LAMP TYPE
	Ø	W	HOLDER	(MAX)	
AULB9007-C-10	50	100	E27		





AULB9007-C-20

SPECIFICATION

HOUSING :HIGH COLD-ROLLED STEEL SHEET FORMED BY
HIGH QUALITY MACHINES

SURFACE TREATMENT :ION-PHOSPHATE AND ANTI-RUST FINISHED WITH UV
RESISTANT POLYESTER POWDER COAT

REFLECTOR :HIGH GRADE ANODIZED ALUMINIUM (SPECULAR)

DIFFUSER :VANDAL RESISTANT TEMPERED GLASS (FROSTED)

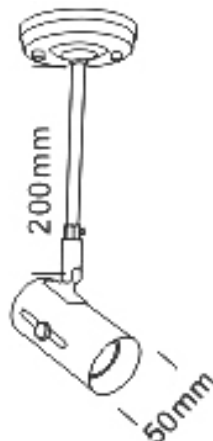
COLOR :MATT WHITE, BLACK, WHITE

PROTECTION CLASS :PROTECTION CLASS EQUIVALENT TO IP 44

INSTALLATION :SURFACE MOUNT

APPLICATION :OFFICE BUILDING, HOSPITAL, DEPARTMENT STORE
HOTEL, RESTAURANT,GOVERNMENTAL BUILDING
SHOP, RESIDENTIAL, ETC.

MODEL	DIMENSION(mm.)		LAMP	LUMEN	LAMP TYPE
	Ø	W	HOLDER	(MAX)	
AULB9007-C-20	50	200	E27		





AULB9007-C-30

SPECIFICATION

HOUSING :HIGH COLD-ROLLED STEEL SHEET FORMED BY HIGH QUALITY MACHINES

SURFACE TREATMENT :ION-PHOSPHATE AND ANTI-RUST FINISHED WITH UV RESISTANT POLYESTER POWDER COAT

REFLECTOR :HIGH GRADE ANODIZED ALUMINIUM (SPECULAR)

DIFFUSER :VANDAL RESISTANT TEMPERED GLASS (FROSTED)

COLOR :MATT WHITE, BLACK, WHITE

PROTECTION CLASS :PROTECTION CLASS EQUIVALENT TO IP 44

INSTALLATION :SURFACE MOUNT

APPLICATION :OFFICE BUILDING, HOSPITAL, DEPARTMENT STORE HOTEL, RESTAURANT,GOVERNMENTAL BUILDING SHOP, RESIDENTIAL, ETC.

MODEL	DIMENSION(mm.)		LAMP	LUMEN	LAMP TYPE
	Ø	W	HOLDER	(MAX)	
AULB9007-C-30	50	300	E27		

